

5

4

3

2

1

E

E

D

D

C

C

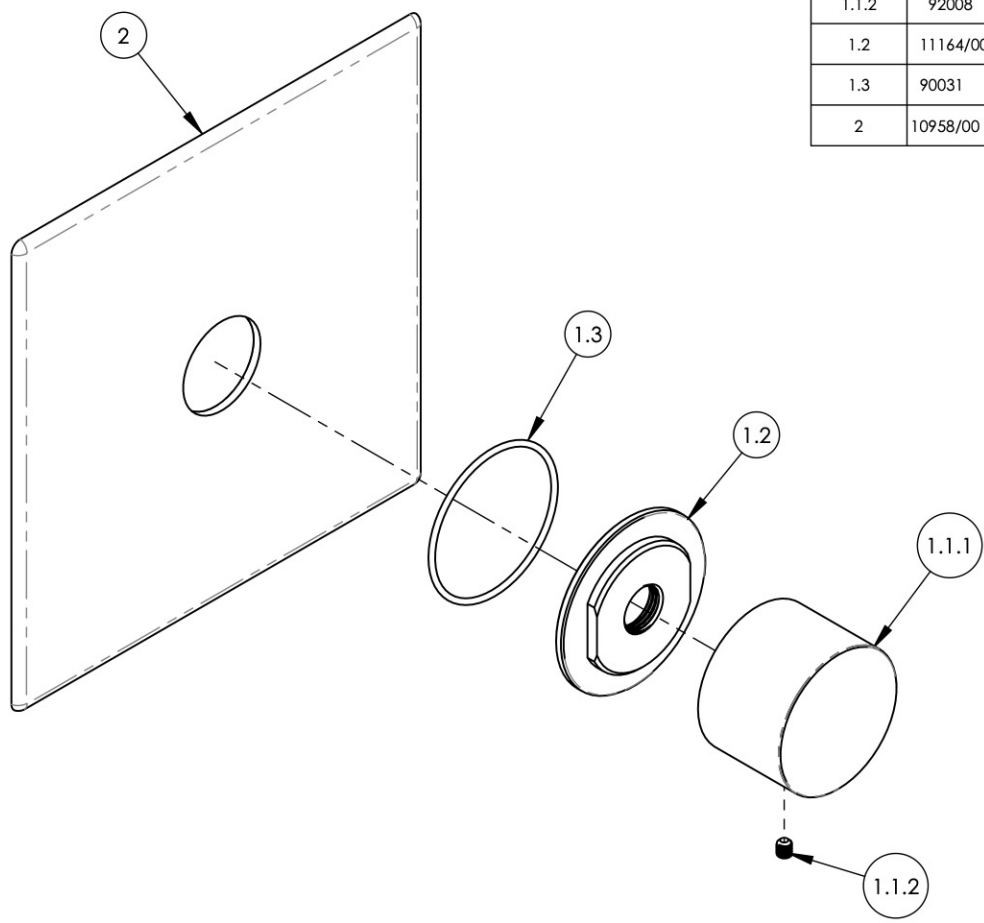
B

B

A

A

ITEM NO.	PART NUMBER	DESCRIPTION	QTY.
1	3-386/00	SUB ASSY. SMOOTH HANDLE, BASIC II	1
1.1	2-248/00	HANDLE SMOOTH, BASIC II	1
1.1.1	10433/00	BASE HANDLE, CONTEMP. BASIC II	1
1.1.2	92008	SET SCREW, CUP POINT 8-32, 3/16" L.	1
1.2	11164/00	ESCUTCHEON BASE, CONTEMP. BASIC II	1
1.3	90031	O-RING, 1-3/4"ID X 1/16"THK, AS-568-031	1
2	10958/00	PLATE, SHOWER TRIM MIX SERIES	1



A1, A3	B	UPDATE DESCRIPTION	9/18/2020	AMM
ZONE	REV.	DESCRIPTION	DATE	APPROVED
REVISIONS				

1261 LOGAN AVENUE  
COSTA MESA, CALIFORNIA 92626  
PHONE: 714.361.4800  
FAX: 714.617.3120

**PHYL RICH**<sup>®</sup>  
Defining Luxury Since 1959

**PROPRIETARY AND CONFIDENTIAL**  
THE INFORMATION CONTAINED IN THIS DRAWING IS THE SOLE PROPERTY OF PHYL RICH. ANY REPRODUCTION IN PART OR AS A WHOLE WITHOUT THE WRITTEN PERMISSION OF PHYL RICH IS PROHIBITED.

-	-	INTERPRET GEOMETRIC DIMENSIONING & TOLERANCING IN ACCORDANCE WITH ASME Y14.5-2009 & ASME Y14.41-2003 STANDARDS, UNLESS OTHERWISE SPECIFIED. DIMENSIONS ARE IN INCHES. TOLERANCES ARE:		
2305-22/00	-	<b>FRACTIONS</b> ±1/16"	<b>DECIMALS</b> X.X: ±.1 X.XX: ±.01 X.XXX: ±.005	<b>ANGULAR</b> ±2°
NEXT ASSY		USED ON		
APPLICATION				
MATERIAL		NAME DATE		
FINISH		DRAWN	FME	11/10/2015
<b>DO NOT SCALE DRAWING</b>		CHECKED	LLO	

**SHOWER PLATE TRIM, SQUARE, SMOOTH HDL, BASIC II**

SIZE	ASM/PRT NO.	REV
<b>A</b>	4-185/00	<b>B</b>
SCALE: 1:2	WEIGHT: lbs.	SHEET 1 OF 2

5

4

3

2

1