

5

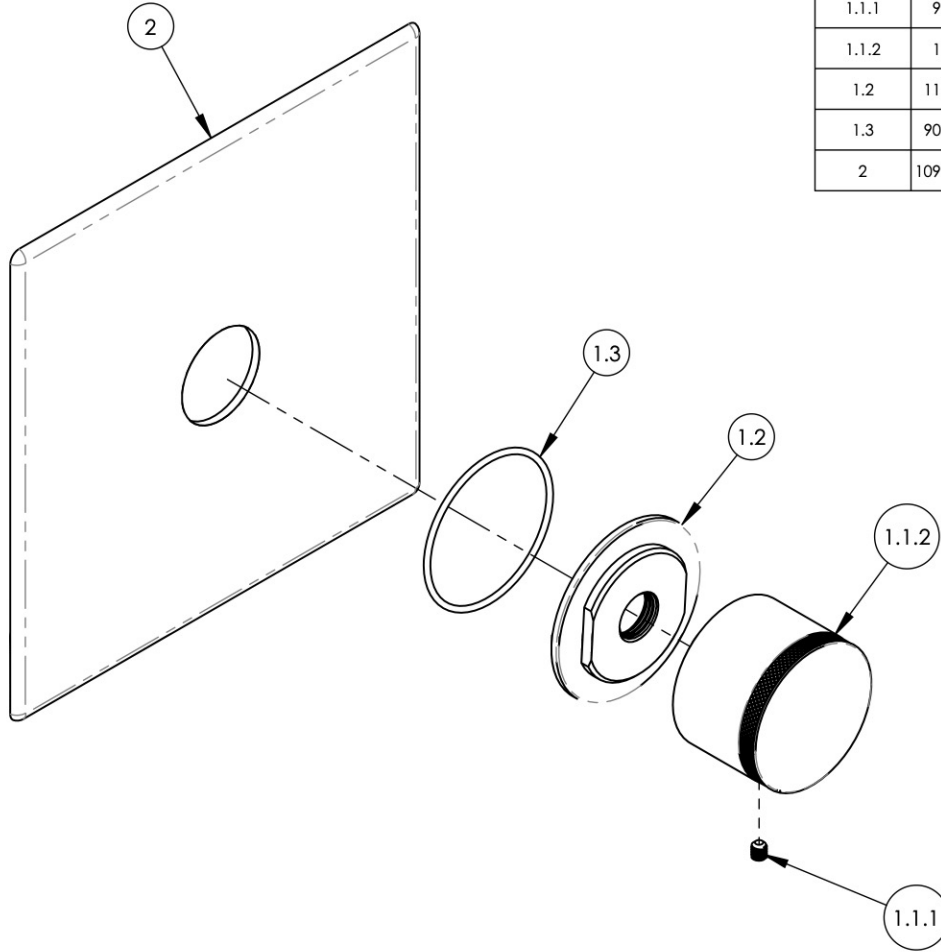
4

3

2

1

ITEM NO.	PART NUMBER	DESCRIPTION	QTY.
1	3-329/00	SUB ASSY. KNURLED HANDLE, BASIC II	1
1.1	2-247/00	HANDLE KNURLED, BASIC II	1
1.1.1	92008	SET SCREW, CUP POINT 8-32, 3/16" L.	1
1.1.2	11165/00	BASE HANDLE, CONTEMP. BASIC II	1
1.2	11164/00	ESCUTCHEON BASE, CONTEMP. BASIC II	1
1.3	90031	O-RING, 1-3/4"ID X 1/16"THK, AS-568-031	1
2	10958/00	PLATE, SHOWER TRIM MIX SERIES	1



E

E

D

D

C

C

B

B

A3, A1	B	UPDATE DESCRIPTION, ADD WHERE USED	9/17/2020	AMM
ZONE	REV.	DESCRIPTION	DATE	APPROVED
REVISIONS				

1261 LOGAN AVENUE
COSTA MESA, CALIFORNIA 92626
PHONE: 714.361.4800
FAX: 714.617.3120

PHYL RICH[®]
Defining Luxury Since 1959

PROPRIETARY AND CONFIDENTIAL
THE INFORMATION CONTAINED IN THIS DRAWING IS THE SOLE PROPERTY OF PHYL RICH. ANY REPRODUCTION IN PART OR AS A WHOLE WITHOUT THE WRITTEN PERMISSION OF PHYL RICH IS PROHIBITED.

-	-	INTERPRET GEOMETRIC DIMENSIONING & TOLERANCING IN ACCORDANCE WITH ASME Y14.5-2009 & ASME Y14.41-2003 STANDARDS, UNLESS OTHERWISE SPECIFIED. DIMENSIONS ARE IN INCHES. TOLERANCES ARE:		
2305-21/00	-	FRACTIONS ±1/16"	DECIMALS X.X: ±.1 X.XX: ±.01 X.XXX: ±.005	ANGULAR ±2°
NEXT ASSY		USED ON		
APPLICATION				
MATERIAL		NAME	DATE	
FINISH		DRAWN	11/10/2015	
DO NOT SCALE DRAWING		CHECKED	LLO	

SHOWER TRIM PLATE, SQUARE, KNURLED HANDLE, BASIC II

SIZE	ASM/PRT NO.	REV
A	4-184/00	B

SCALE: 1:2 WEIGHT: lbs. SHEET 1 OF 2

5

4

3

2

1

A

A