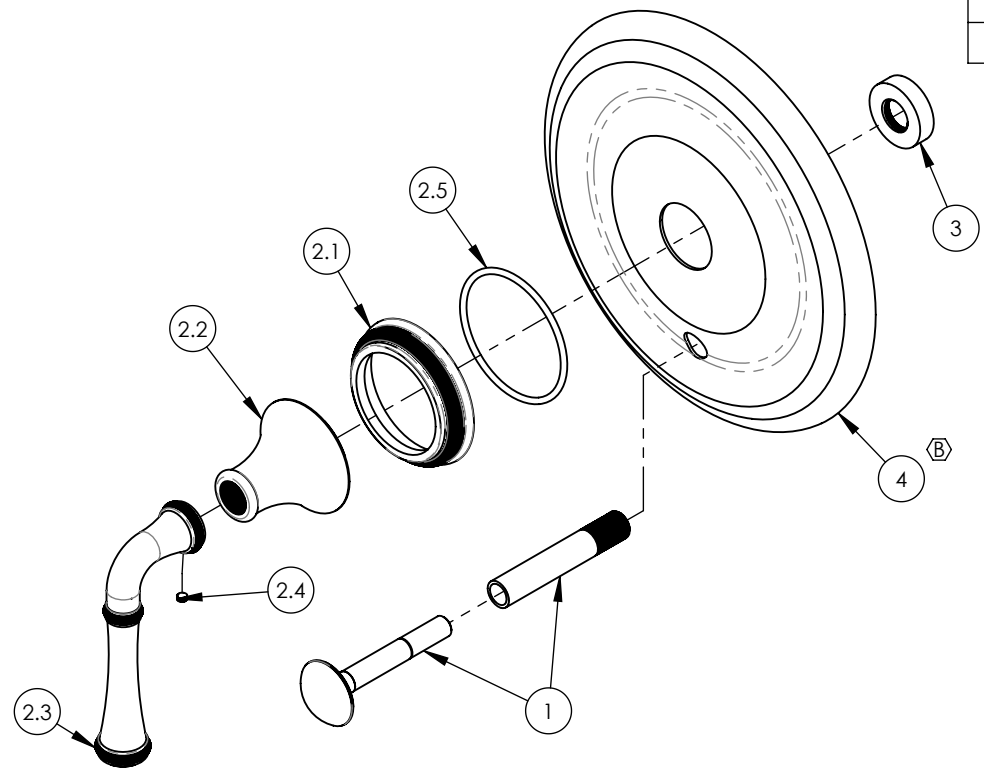


- NOTE(S):
1. PART NUMBER, "/00" DENOTES PART SHALL HAVE FINISH.
 2. APPLY NSF COMPLIANT GREASE TO ANY O-RING, SEALING JOINTS, AND/OR PIVOTAL POINTS.
 3. APPLY NSF COMPLIANT LOCTITE TO THREADED AREA.
 4. APPLY NSF COMPLIANT REMOVABLE (BLUE) LOCTITE TO THREADED AREA.
 5. SILVER SOLDER JOINTS SHALL BE FULLY WETTED VIA CAPILLARY ACTION AND COMPLETELY NON-POROUS.



ITEM NO.	PART NUMBER	DESCRIPTION	QTY.
1	3-125/00	DIVERTER EXTENSION ASSY FOR PB TUB & SHOWER SET	1
2	3-317/00	LEVER HANDLE, COINED SERIES	1
2.1	10978/00	ESCUTCHEON HANDLE BASE COINED, 3RING, COINED SERIES	1
2.2	10972/00	HUB, TRANSITIONAL 3RING	1
2.3	10977/00	HANDLE, STRAIGHT LEVER COINED, 3RING	1
2.4	92163	SET SCREW, CONE PT 8-32 X 1/8"L	1
2.5	90138	O-RING, 2 1/8"ID X 3/32"THK., AS-568-138	1
3	11087	SLEEVE FOR PB-THERM PLATE	1
4	P17011/00	TRIM PLATE, PRESSURE BALANCE, SMOOTH, DOUBLE HOLE	1



ZONE	REV.	DESCRIPTION	DATE	APPROVED
C3	B	UPDATE TRIM PLATE	4/23/2021	AMM
REVISIONS				

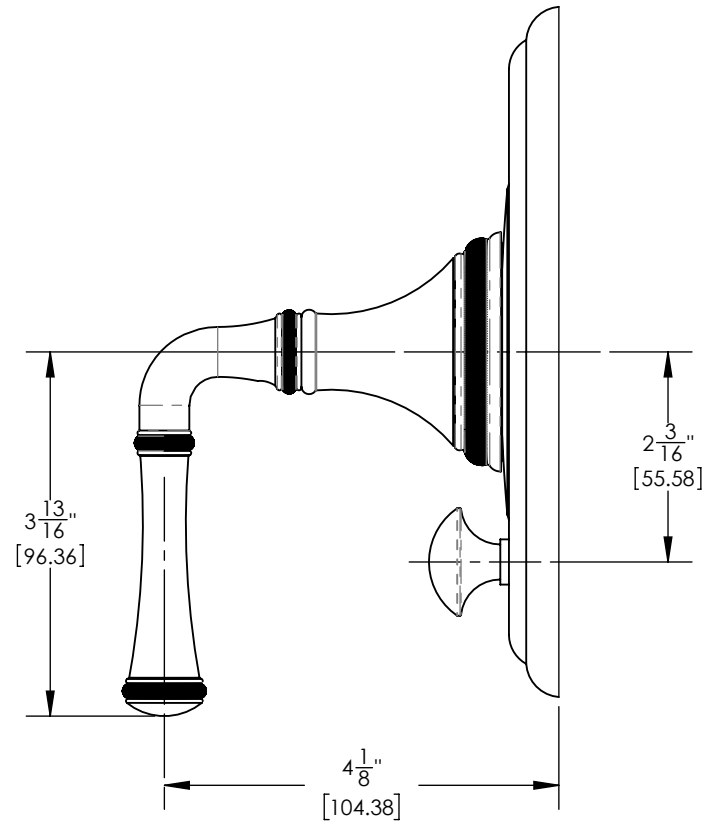
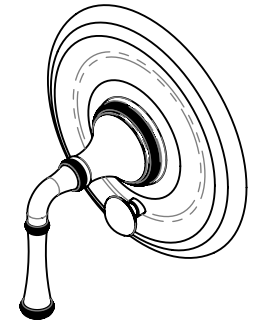
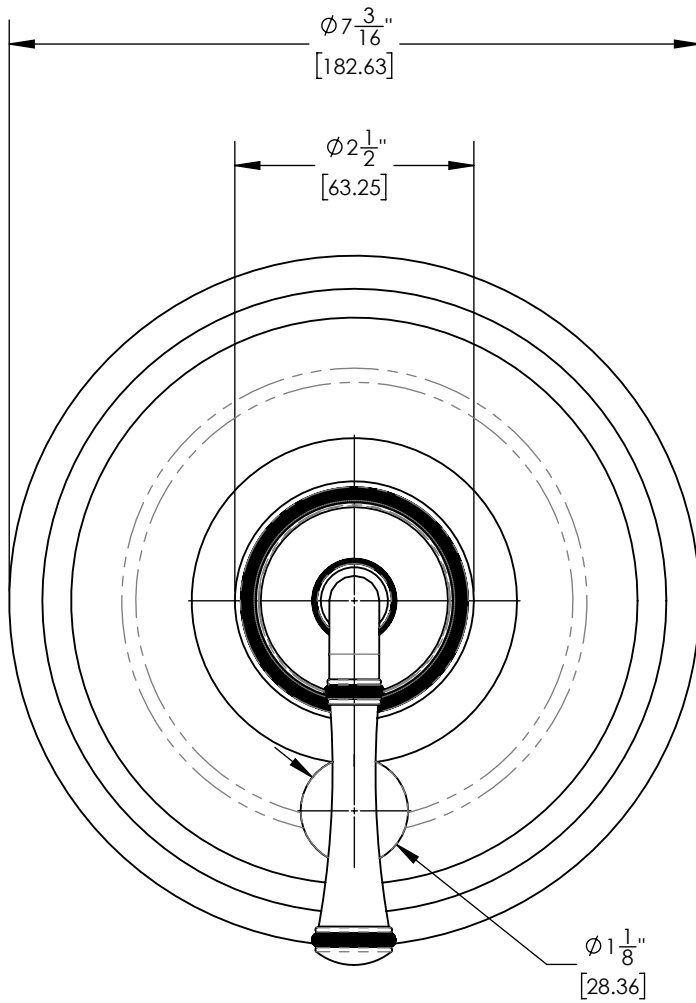
1261 LOGAN AVENUE
 COSTA MESA, CALIFORNIA 92626
 PHONE: 714.361.4800
 FAX: 714.617.3120

PHYLIRICH[®]
 Defining Luxury Since 1959

PROPRIETARY AND CONFIDENTIAL
 THE INFORMATION CONTAINED IN THIS DRAWING IS THE SOLE PROPERTY OF PHYLIRICH. ANY REPRODUCTION IN PART OR AS A WHOLE WITHOUT THE WRITTEN PERMISSION OF PHYLIRICH IS PROHIBITED.
DO NOT SCALE DRAWING

**PRESSURE BALNACE SHOWER PLATE W/
 DIVERTER & HANDLE TRIM SET**

SIZE A	ASM/PRT NO. 4-134/00	REV B
SCALE: 1:3	WEIGHT: lbs.	SHEET 1 OF 2



1261 LOGAN AVENUE
 COSTA MESA, CALIFORNIA 92626
 PHONE: 714.361.4800
 FAX: 714.617.3120

PHYLIRICH[®]
 Defining Luxury Since 1959

PROPRIETARY AND CONFIDENTIAL
 THE INFORMATION CONTAINED IN THIS DRAWING
 IS THE SOLE PROPERTY OF PHYLIRICH. ANY
 REPRODUCTION IN PART OR AS A WHOLE
 WITHOUT THE WRITTEN PERMISSION OF PHYLIRICH
 IS PROHIBITED.
DO NOT SCALE DRAWING

**PRESSURE BALNACE SHOWER PLATE W/
 DIVERTER & HANDLE TRIM SET**

SIZE	ASM/PRT NO.	REV
A	4-134/00	B
SCALE: 1:2	WEIGHT: lbs.	SHEET 2 OF 2