

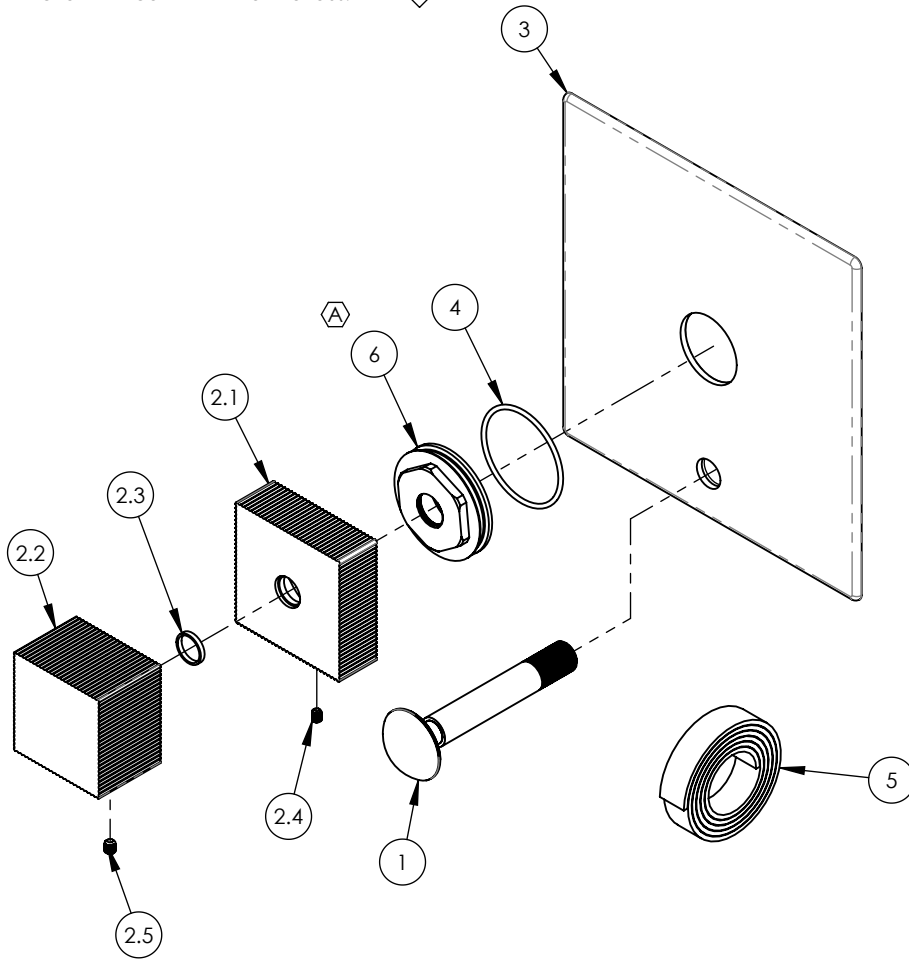
NOTE(S):  
 1. PART NUMBER, "/00" DENOTES PART SHALL HAVE FINISH.

2. APPLY NSF COMPLIANT GREASE TO ANY O-RING, SEALING JOINTS, AND/OR PIVOTAL POINTS.

3. APPLY NSF COMPLIANT LOCTITE TO THREADED AREA.

4. APPLY NSF COMPLIANT REMOVABLE (BLUE) LOCTITE TO THREADED AREA.

5. SILVER SOLDER JOINTS SHALL BE FULLY WETTED VIA CAPILLARY ACTION AND COMPLETELY NON-POROUS.



ITEM NO.	PART NUMBER	DESCRIPTION	QTY.
1	3-125/00	DIVERTER EXTENSION ASSY FOR PB TUB & SHOWER SET	1
2	3-130/00	PB SHOWER SET, CUBE EDGE SERIES	1
2.1	10963/00	HUB FOR SHOWER, EDGE SERIES	1
2.2	11013/00	HANDLE, SQUARE/CUBE NO LETTER, EDGE SERIES	1
2.3	92176	WEAR WASHER	1
2.4	92005	SET SCREW, CUP PT 6-32 UNC THREAD 3/16" L	1
2.5	92008	SET SCREW, CUP POINT 8-32, 3/16" L.	1
3	10959/00	SHOWER TRIM PLATE W/ DIVERTER HOLE, MIX SERIES	1
4	90029	O-RING, 1-5/8"ID X 1-3/4"OD X 1/16"THK, AS-568-029	1
5	90537	1/16" TAPE FOR WALL PLATE	1
6	92401	BASE MOUNT, TRIM PLATE TO ESCUTCHEON	1

D4	A	UPDATE SLEEVE MOUNT	6/11/2021	AMM
ZONE	REV.	DESCRIPTION	DATE	APPROVED

REVISIONS

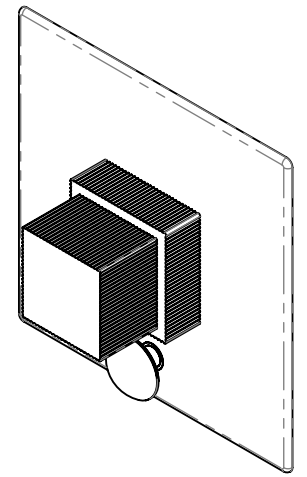
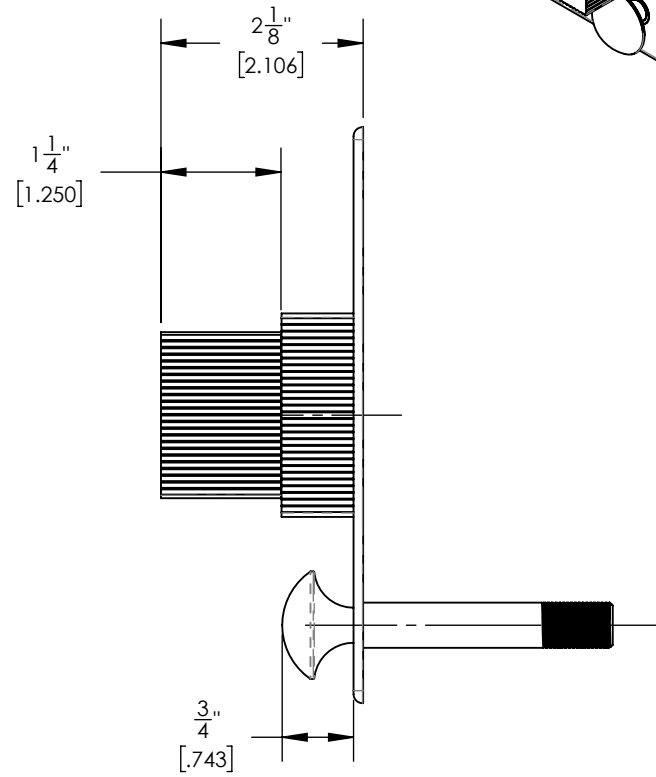
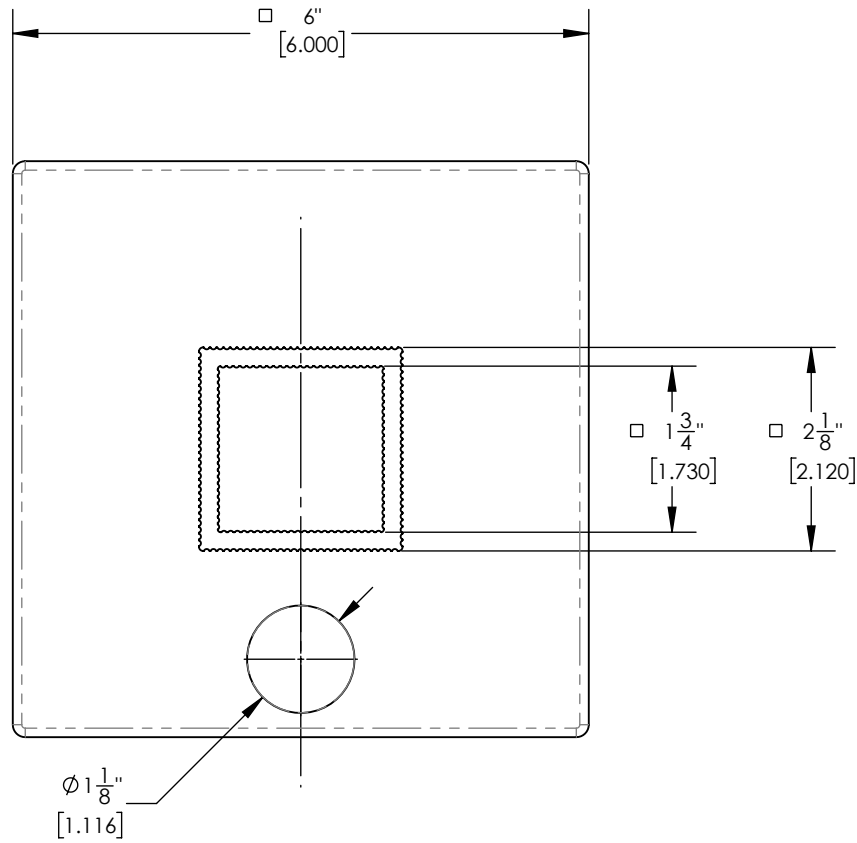
1261 LOGAN AVENUE  
 COSTA MESA, CALIFORNIA 92626  
 PHONE: 714.361.4800  
 FAX: 714.617.3120

**PHYL RICH**<sup>®</sup>  
 Defining Luxury Since 1959

**PROPRIETARY AND CONFIDENTIAL**  
 THE INFORMATION CONTAINED IN THIS DRAWING IS THE SOLE PROPERTY OF PHYL RICH. ANY REPRODUCTION IN PART OR AS A WHOLE WITHOUT THE WRITTEN PERMISSION OF PHYL RICH IS PROHIBITED.  
**DO NOT SCALE DRAWING**

PB PLATE W/ DIVERTER, CUBE HANDLE, STRIA

SIZE <b>A</b>	ASM/PRT NO. 4-121/00	REV A
SCALE: 1:2.75	WEIGHT: lbs.	SHEET 1 OF 2



1261 LOGAN AVENUE  
COSTA MESA, CALIFORNIA 92626  
PHONE: 714.361.4800  
FAX: 714.617.3120

**PHYLIRICH**<sup>®</sup>  
Defining Luxury Since 1959

**PROPRIETARY AND CONFIDENTIAL**  
THE INFORMATION CONTAINED IN THIS DRAWING IS THE SOLE PROPERTY OF PHYLIRICH. ANY REPRODUCTION IN PART OR AS A WHOLE WITHOUT THE WRITTEN PERMISSION OF PHYLIRICH IS PROHIBITED.  
**DO NOT SCALE DRAWING**

PB PLATE W/ DIVERTER, CUBE HANDLE, STRIA

SIZE <b>A</b>	ASM/PRT NO. 4-121/00	REV A
SCALE: 1:2	WEIGHT: lbs.	SHEET 2 OF 2