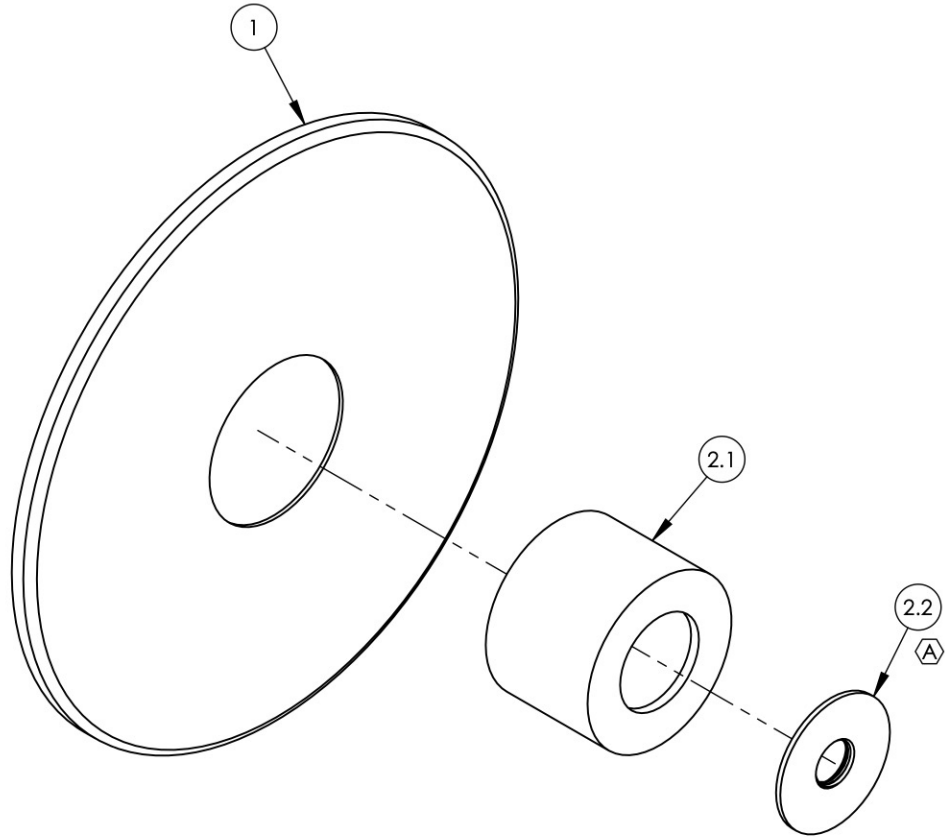


ITEM NO.	PART NUMBER	DESCRIPTION	QTY.
1	11335/00	BASIC ROUND PLATE LARGE HOLE	1
2	2-425/00	BASIC DEEP EXT. HUB ASSY W/ ADAPTER	1
2.1	11334/00	DEEP ESCUTCHEON, BASIC SERIES	1
2.2	11341	HUB ADAPTER FOR EXT. DEEP HUB	1



ZONE	REV.	DESCRIPTION	DATE	APPROVED
A1	A	ADDED ADAPTOR PLATE	8/1/2023	LFV

REVISIONS

1261 LOGAN AVENUE
COSTA MESA, CALIFORNIA 92626
PHONE: 714.361.4800
FAX: 714.617.3120

PHYL RICH[®]
Defining Luxury Since 1959

PROPRIETARY AND CONFIDENTIAL
THE INFORMATION CONTAINED IN THIS DRAWING IS THE SOLE PROPERTY OF RSS MANUFACTURING. ANY REPRODUCTION IN PART OR AS A WHOLE WITHOUT THE WRITTEN PERMISSION OF RSS MANUFACTURING IS PROHIBITED.

NEXT ASSY	USED ON	FRACTIONS	DECIMALS	ANGULAR
-	-	±1/64"	X.X: ±.1 X.XX: ±.01 X.XXX: ±.005	±.5°
APPLICATION		DRAWN	NAME	DATE
MATERIAL		FINISH	LLO	8/19/2016
DO NOT SCALE DRAWING		CHECKED	GRE	

INTERPRET GEOMETRIC DIMENSIONING & TOLERANCING IN ACCORDANCE WITH ASME Y14.5-2009 & ASME Y14.41-2003 STANDARDS, UNLESS OTHERWISE SPECIFIED. DIMENSIONS ARE IN INCHES. TOLERANCES ARE:

BASIC EXT. TRIM PB/TH PLATE & HUB ASSY.

SIZE	ASM/PRT NO.	REV
A	3-426/00	A

SCALE: 1:2 WEIGHT: lbs. SHEET 1 OF 1

A

B

C

D

E

5

4

3

2

1