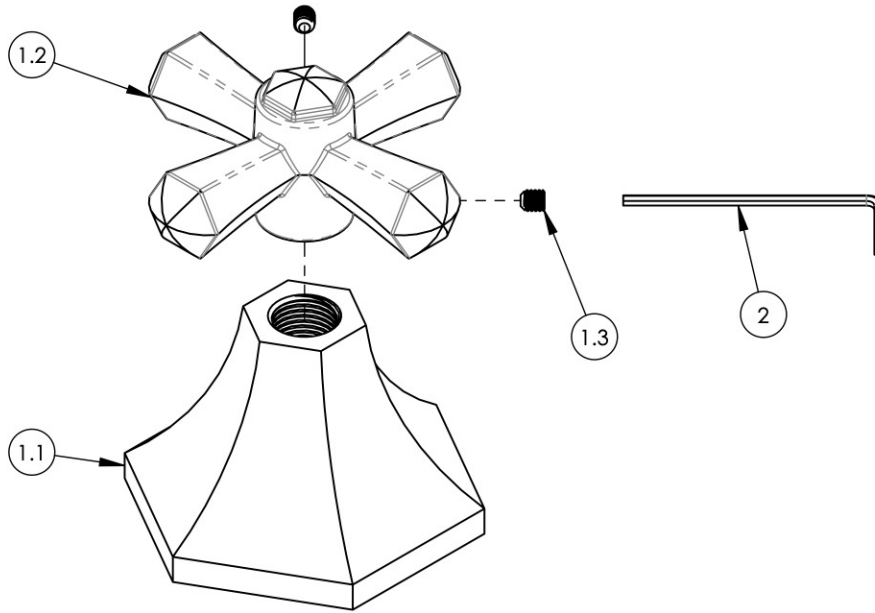


NOTE(S):
 1. PART NUMBER, "/00" DENOTES PART SHALL HAVE FINISH.

ITEM NO.	PART NUMBER	DESCRIPTION	QTY.
1	3-240/00	CROSS HANDLE, LE VERRE & LA CROSSE SERIES	1
1.1	P02020/00	ESCUTCHEON, COVER PLATE K170&K171	1
1.2	P01025/00	HANDLE, CROSS HEX SHAPES FOR K171	1
1.3	92008	SET SCREW, CUP POINT 8-32, 3/16" L.	2
2	P39001	HEX KEY 5/64, FOR 8-32 SET SCREW	1



ZONE	REV.	DESCRIPTION	DATE	APPROVED
REVISIONS				

1261 LOGAN AVENUE
 COSTA MESA, CALIFORNIA 92626
 PHONE: 714.361.4800
 FAX: 714.617.3120

PHYLIRICH®
 Defining Luxury Since 1959

PROPRIETARY AND CONFIDENTIAL
 THE INFORMATION CONTAINED IN THIS DRAWING IS THE SOLE PROPERTY OF PHYLIRICH. ANY REPRODUCTION IN PART OR AS A WHOLE WITHOUT THE WRITTEN PERMISSION OF PHYLIRICH IS PROHIBITED.

-	-	INTERPRET GEOMETRIC DIMENSIONING & TOLERANCING IN ACCORDANCE WITH ASME Y14.5-2009 & ASME Y14.41-2003 STANDARDS, UNLESS OTHERWISE SPECIFIED. DIMENSIONS ARE IN INCHES. TOLERANCES ARE:		
-	-			
-	-			
NEXT ASSY	USED ON	FRACTIONS ±1/16"	DECIMALS X.X: ±.1 X.XX: ±.01 X.XXX: ±.005	ANGULAR ±2°
APPLICATION		MATERIAL	NAME	DATE
FINISH		DRAWN	AMM	6/15/2020
DO NOT SCALE DRAWING		CHECKED	AMM	6/15/2020

SHOWER ITEM, VOLUME CONTROL/
 DIVERTER, TRIM ONLY, CROSS, LE VERRE &
 LA CROSSE

SIZE	ASM/PRT NO.	REV
A	2PV171/00	
SCALE: 1:1.5	WEIGHT: lbs.	SHEET 1 OF 2