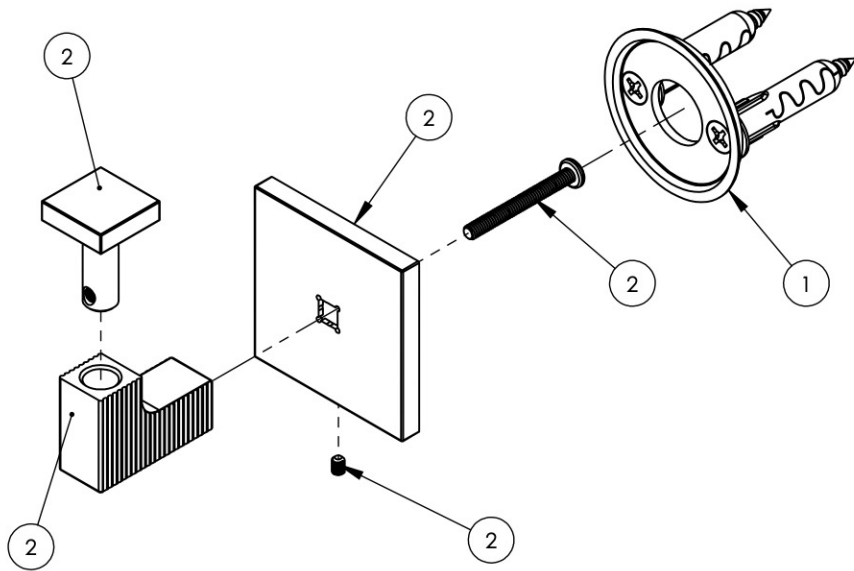


ITEM NO.	PART NUMBER	DESCRIPTION	QTY.
1	2-098	MOUNTING KIT FOR MIX/EDGE SERIES	1
	30042	WALL MOUNTING PLATE	1
	92043	SCREW, FLAT HD #10 SIZE W/ #2 PHIL DRIVE, 2"L	2
	92046	ANCHOR SCREW 3/8" HOLE, TOGGLER AF10	2
2	3-367/00	ASSY. GARMENT HOOK, STRIA SERIES	1
	10941/00	ESCUTCHEON, ACCESORIES EDGE SERIES	1
	11228/00	POST, GARMENT HOOK 291 STRIA SERIES	1
	92094	SCREW, PAN HD 8-32 X 1.5"L	1
	92005	SET SCREW, CUP PT 6-32UNC THREAD 3/16"L	1
	11229/00	FINIAL END, GARMENT HOOK 291 STRIA SERIES	1



ZONE	REV.	DESCRIPTION	DATE	APPROVED
REVISIONS				

NEXT ASSY	USED ON

MATERIAL	APPLICATION

FINISH	DRAWN	NAME	DATE
	LLO		12/23/2014

DO NOT SCALE DRAWING	CHECKED	GRE

INTERPRET GEOMETRIC DIMENSIONING & TOLERANCING IN ACCORDANCE WITH ASME Y14.5-2009 & ASME Y14.41-2003 STANDARDS, UNLESS OTHERWISE SPECIFIED. DIMENSIONS ARE IN INCHES. TOLERANCES ARE:

FRACTIONS	DECIMALS	ANGULAR
±1/64"	X.X: ±.1 X.XX: ±.01 X.XXX: ±.005	±.5°

SCALE	ASM/PRT NO.	REV
A	291-76/00	-

ROBE HOOK, STRIA SERIES

SCALE	WEIGHT	SHEET
1:2	lbs.	1 OF 2

1261 LOGAN AVENUE
COSTA MESA, CALIFORNIA 92626
PHONE: 714.361.4800
FAX: 714.617.3120



MANUFACTURING

PROPRIETARY AND CONFIDENTIAL
THE INFORMATION CONTAINED IN THIS DRAWING IS THE SOLE PROPERTY OF RSS MANUFACTURING. ANY REPRODUCTION IN PART OR AS A WHOLE WITHOUT THE WRITTEN PERMISSION OF RSS MANUFACTURING IS PROHIBITED.