

A

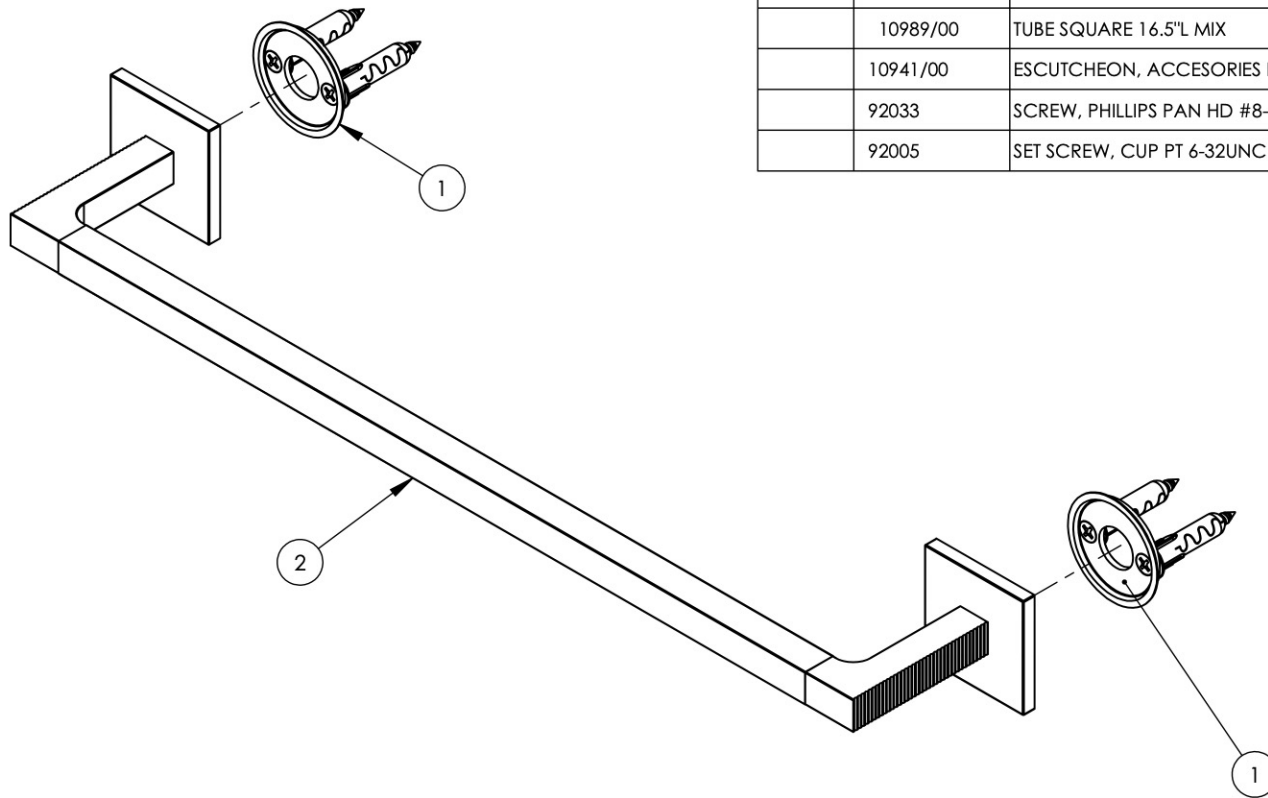
B

C

D

E

ITEM NO.	PART NUMBER	DESCRIPTION	QTY.
1	2-098	MOUNTING KIT FOR MIX/EDGE SERIES	2
	30042	WALL MOUNTING PLATE	1
	92043	SCREW, FLAT HD #10 SIZE W/ #2 PHIL DRIVE, 2"L	2
	92046	ANCHOR SCREW 3/8" HOLE, TOGGLER AF10	2
2	3-368	ASSY. 18" TOWEL BAR, STRIA SERIES	1
	2-138	SUB ASSY. 18" TOWEL BAR, STRIA SERIES	1
	11226/00	POST, ACCESSORIES STRIA SERIES	2
	10989/00	TUBE SQUARE 16.5"L MIX	1
	10941/00	ESCUTCHEON, ACCESORIES EDGE SERIES	2
	92033	SCREW, PHILLIPS PAN HD #8-32 x 7/8"L	2
	92005	SET SCREW, CUP PT 6-32UNC THREAD 3/16"L	2



ZONE	REV.	DESCRIPTION	DATE	APPROVED
		REVISIONS		

REVISIONS		PROPRIETARY AND CONFIDENTIAL
1261 LOGAN AVENUE COSTA MESA, CALIFORNIA 92626 PHONE: 714.361.4800 FAX: 714.617.3120	RSS MANUFACTURING	THE INFORMATION CONTAINED IN THIS DRAWING IS THE SOLE PROPERTY OF RSS MANUFACTURING. ANY REPRODUCTION IN PART OR AS A WHOLE WITHOUT THE WRITTEN PERMISSION OF RSS MANUFACTURING IS PROHIBITED.

NEXT ASSY		USED ON	INTERPRET GEOMETRIC DIMENSIONING & TOLERANCING IN ACCORDANCE WITH ASME Y14.5-2009 & ASME Y14.41-2003 STANDARDS. UNLESS OTHERWISE SPECIFIED, DIMENSIONS ARE IN INCHES. TOLERANCES ARE:			18" TOWEL BAR, STRIA SERIES		
APPLICATION			FRACTIONS ±1/64"	DECIMALS X.X: ±.1 X.XX: ±.01 X.XXX: ±.005	ANGULAR ±.5°	SIZE A	ASM/PRT NO. 291-70/00	REV -
MATERIAL	FINISH	DRAWN	NAME	DATE	SCALE: 1:3	WEIGHT: lbs.	SHEET 1 OF 2	
		CHECKED	GRE					

5

4

3

2

1

DO NOT SCALE DRAWING