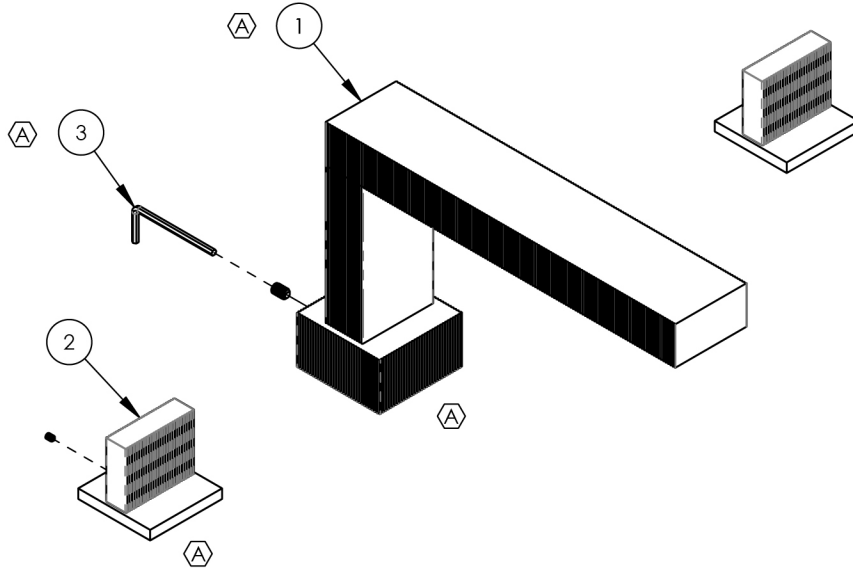


NOTE(S):

1. PART NUMBER, "/00" DENOTES PART SHALL HAVE FINISH.
2. APPLY NSF COMPLIANT GREASE TO ANY O-RING, SEALING JOINTS, AND/OR PIVOTAL POINTS.
3. APPLY NSF COMPLIANT LOCTITE TO THREADED AREA.
4. APPLY NSF COMPLIANT REMOVABLE (BLUE) LOCTITE TO THREADED AREA.
5. SILVER SOLDER JOINTS SHALL BE FULLY WETTED VIA CAPILLARY ACTION AND COMPLETELY NON-POROUS.

- ◇ G
- ◇ L
- ◇ B
- ◇ S

Ⓐ



ITEM NO.	PART NUMBER	DESCRIPTION	QTY.
1	3-107/00	DECK TUB SPOUT, STRIA, ASSY	1
2	3-108/00	ASSY, HANDLE RIBBED BLADE	2
3	92216	HEX L-KEY 1/8" HEX x 2-5/16"L	1

ZONE	REV.	DESCRIPTION	DATE	APPROVED
	A	UPDATED DRAWING	6/7/2024	VA
ALL	A	EXPLODE VIEW, REMOVE SLEEVE MOUNTS & SPOUT ROUGH-IN, ADD CALLOUTS & HEX KEY	6/16/2021	AMM

REVISIONS

1261 LOGAN AVENUE  
COSTA MESA, CALIFORNIA 92626  
PHONE: 714.361.4800  
FAX: 714.617.3120

**PHYLIRICH**<sup>®</sup>  
Defining Luxury Since 1959

PROPRIETARY AND CONFIDENTIAL  
THE INFORMATION CONTAINED IN THIS DRAWING IS THE SOLE PROPERTY OF PHYLIRICH. ANY REPRODUCTION IN PART OR AS A WHOLE WITHOUT THE WRITTEN PERMISSION OF PHYLIRICH IS PROHIBITED.  
DO NOT SCALE DRAWING

DECK TUB SET, BLADE, STRIA

SIZE <b>A</b>	ASM/PRT NO. 291-40/00	REV A
SCALE: 1:4	WEIGHT: lbs.	SHEET 1 OF 2