

NOTE(S):
 1. PART NUMBER, "/00" DENOTES PART SHALL HAVE FINISH.

2. APPLY NSF-COMPLIANT GREASE TO ANY O-RING, SEALING JOINTS, AND/OR PIVOTAL POINTS.

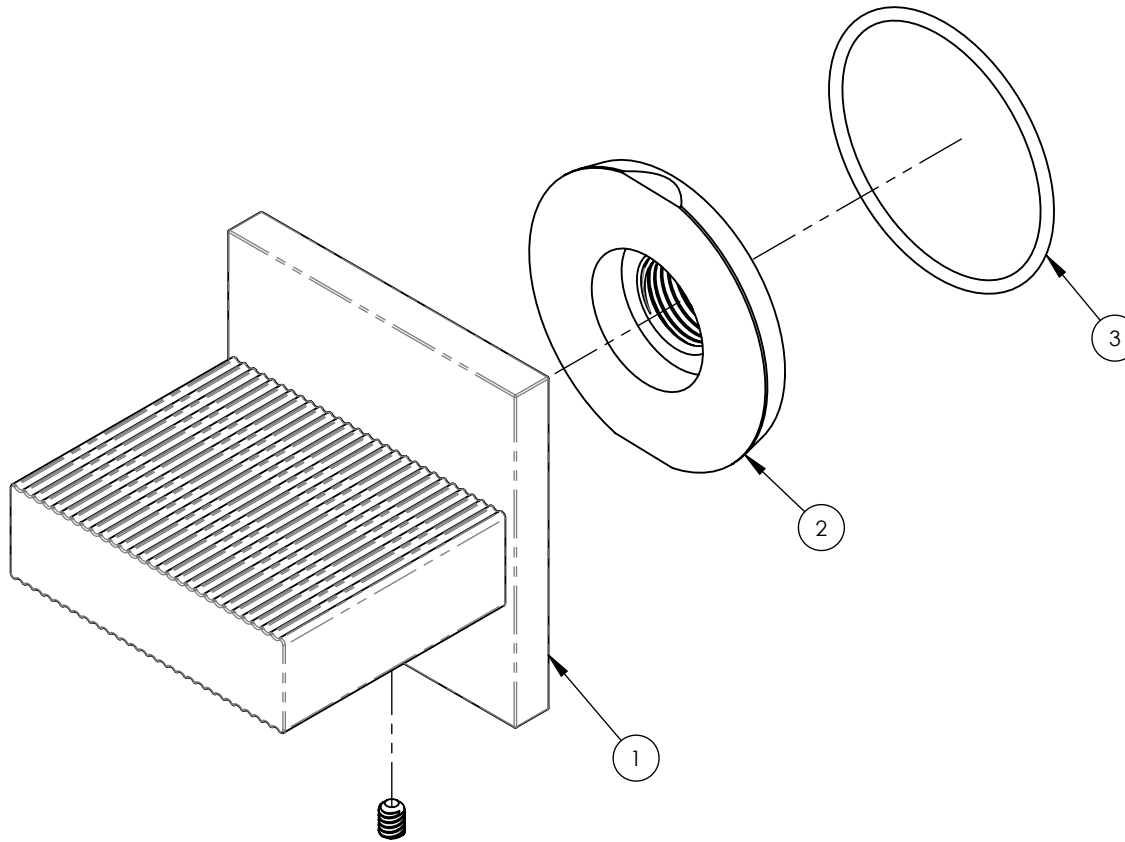
3. APPLY NSF-COMPLIANT LOCTITE TO THREADED AREA.

4. APPLY NSF-COMPLIANT REMOVABLE (BLUE) LOCTITE TO THREADED AREA.

5. SILVER SOLDER JOINTS SHALL BE FULLY WETTED VIA-CAPILLARY ACTION AND COMPLETELY NON-POROUS.



ITEM NO.	PART NUMBER	DESCRIPTION	QTY.
1	3-108/00	ASSY, HANDLE RIBBED BLADE	1
2	11003	SLEEVE MOUNT, WALL MT WIDESPREAD	1
3	90029	O-RING, 1-5/8"ID X 1-3/4"OD X 1/16"THK, AS-568-029	1



ZONE	REV.	DESCRIPTION	DATE	APPROVED
REVISIONS				

1261 LOGAN AVENUE
 COSTA MESA, CALIFORNIA 92626
 PHONE: 714.361.4800
 FAX: 714.617.3120

PHYLIRICH[®]
 Defining Luxury Since 1959

PROPRIETARY AND CONFIDENTIAL
 THE INFORMATION CONTAINED IN THIS DRAWING IS THE SOLE PROPERTY OF PHYLIRICH. ANY REPRODUCTION IN PART OR AS A WHOLE WITHOUT THE WRITTEN PERMISSION OF PHYLIRICH IS PROHIBITED.
DO NOT SCALE DRAWING

VOLUME CONTROL / DIVERTER TRIM,
 BLADE HANDLE, STRIA

SIZE A	ASM/PRT NO. 291-35/00	REV
------------------	--------------------------	-----

SCALE: 1:1 WEIGHT: lbs. SHEET 1 OF 2

5

4

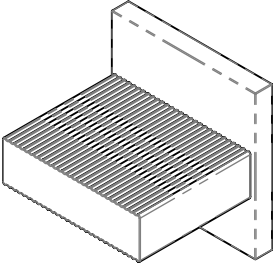
3

2

1

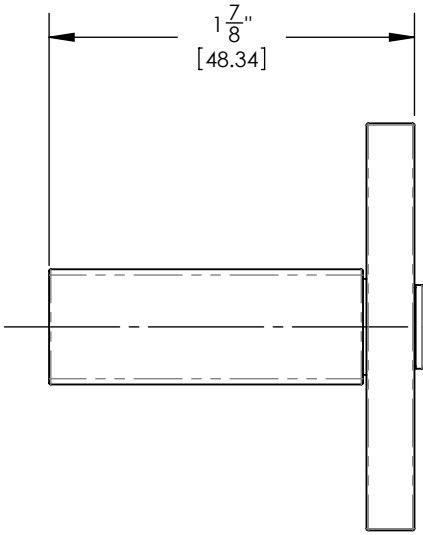
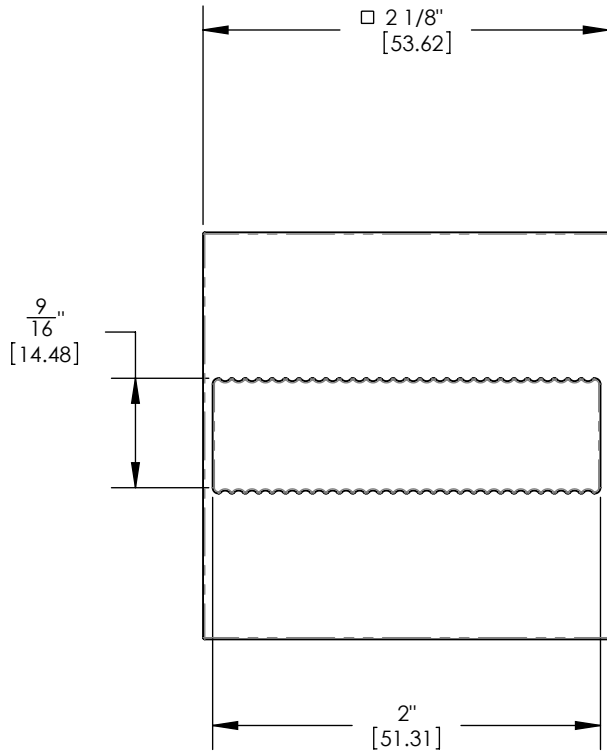
E

E



D

D



C

C

B

B

A

A

1261 LOGAN AVENUE
 COSTA MESA, CALIFORNIA 92626
 PHONE: 714.361.4800
 FAX: 714.617.3120

PHYLIRICH[®]
 Defining Luxury Since 1959

PROPRIETARY AND CONFIDENTIAL
 THE INFORMATION CONTAINED IN THIS DRAWING
 IS THE SOLE PROPERTY OF PHYLIRICH. ANY
 REPRODUCTION IN PART OR AS A WHOLE
 WITHOUT THE WRITTEN PERMISSION OF PHYLIRICH
 IS PROHIBITED.
DO NOT SCALE DRAWING

VOLUME CONTROL / DIVERTER TRIM,
 BLADE HANDLE, STRIA

SIZE A	ASM/PRT NO. 291-35/00	REV
SCALE: 1:2	WEIGHT: lbs.	SHEET 2 OF 2

5

4

3

2

1