

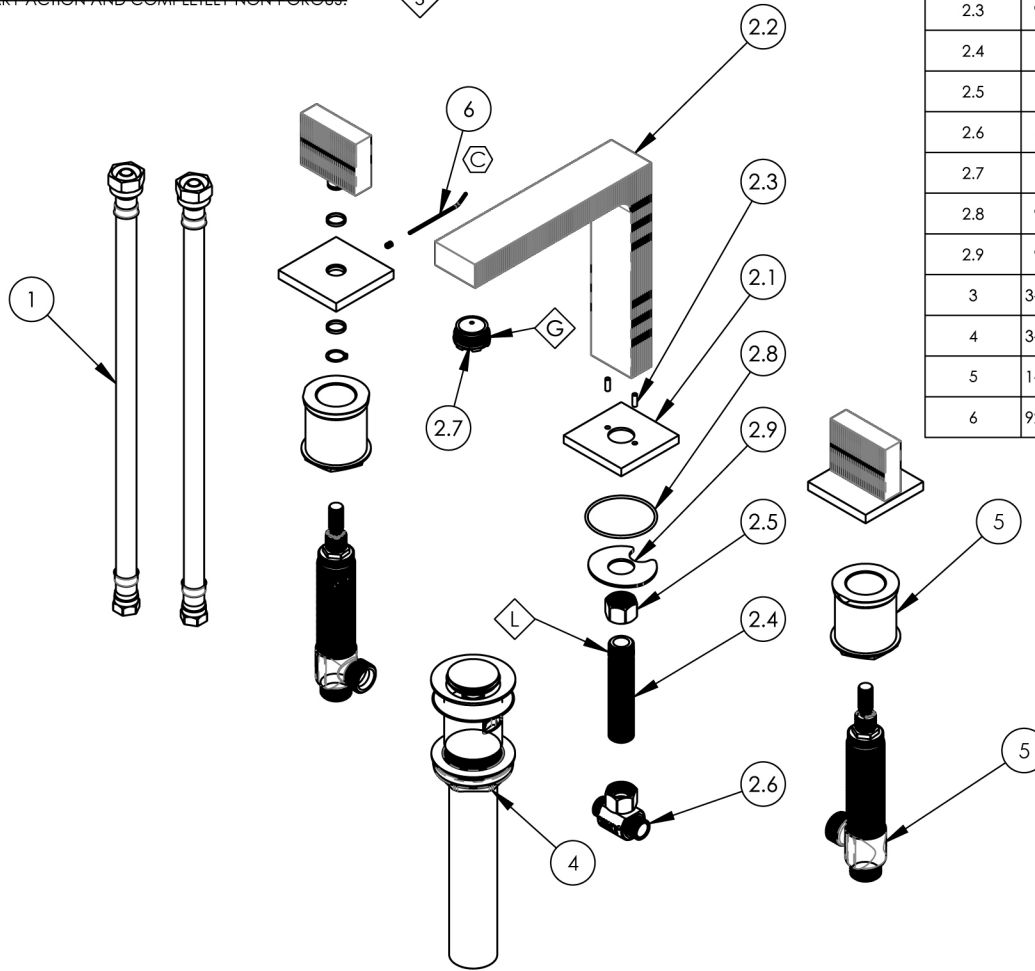
NOTE(S):  
 1. PART NUMBER, "/00" DENOTES PART SHALL HAVE FINISH.

2. APPLY NSF COMPLIANT GREASE TO ANY O-RING, SEALING JOINTS, AND/OR PIVOTAL POINTS.

3. APPLY NSF COMPLIANT LOCTITE TO THREADED AREA.

4. APPLY NSF COMPLIANT REMOVABLE (BLUE) LOCTITE TO THREADED AREA.

5. SILVER SOLDER JOINTS SHALL BE FULLY WETTED VIA CAPILLARY ACTION AND COMPLETELY NON-POROUS.



ITEM NO.	PART NUMBER	DESCRIPTION	QTY.
1	10982	HOSE, 3/8" COMP. X 1/2" NPSM - 12"L	2
2	3-104/00	ASSY, SPOUT WIDESPREAD LAV RIBBED HIGH	1
2.1	10938/00	ESCUTCHEON, SPOUT LAV EDGE SERIES	1
2.2	10945/00	SPOUT, WIDESPREAD LAV HIGH EDGE	1
2.3	92158	DOWEL PIN, 1/8" X 3/8"L	2
2.4	10745	THREAD ALL, 3/8"-18 NPSL - 3/8"NPT	1
2.5	10746	NUT, 3/8"-18 NPSL	1
2.6	1-112	TEE VALVE, 3/8" NPSM X 3/8" COMPRESSION	1
2.7	11427	AERATOR, CACHE REG, PINK 1.2 GPM, M24X1.0, NEOPERL # 40.2360.010	1
2.8	90031	O-RING, 1-3/4"ID X 1/16"THK, AS-568-031	1
2.9	92174	WASHER MOUNT WIDESPREAD (3/8")	1
3	3-108/00	ASSY, HANDLE RIBBED BLADE	2
4	3-545/00	BRASS PUSH TYPE DRAIN, W/ OVERFLOW & SMALL PLUG	1
5	1-700	WIDESPREAD VALVE 16PT, HOT & COLD, W/ FLUSH MOUNTING KITS	1
6	92246	HEX KEY 1/16, FOR 6-32 SET SCREW	1

D4	C	REPLACED WIDESPREAD VALVES, ADD HEX KEY	7/17/2024	FVM
ZONE	REV.	DESCRIPTION	DATE	APPROVED
REVISIONS				

1261 LOGAN AVENUE  
 COSTA MESA, CALIFORNIA 92626  
  
 PHONE: 714.361.4800  
 FAX: 714.617.3120

# PHYL RICH®

Defining Luxury Since 1959

PROPRIETARY AND CONFIDENTIAL  
 THE INFORMATION CONTAINED IN THIS DRAWING IS THE SOLE PROPERTY OF PHYL RICH. ANY REPRODUCTION IN PART OR AS A WHOLE WITHOUT THE WRITTEN PERMISSION OF PHYL RICH IS PROHIBITED.  
**DO NOT SCALE DRAWING**

WIDESPREAD FAUCET, BLADE HANDLE, STRIA

SIZE <b>A</b>	ASM/PRT NO. 291-01/00	REV C
SCALE: 1:5	WEIGHT: lbs.	SHEET 1 OF 2