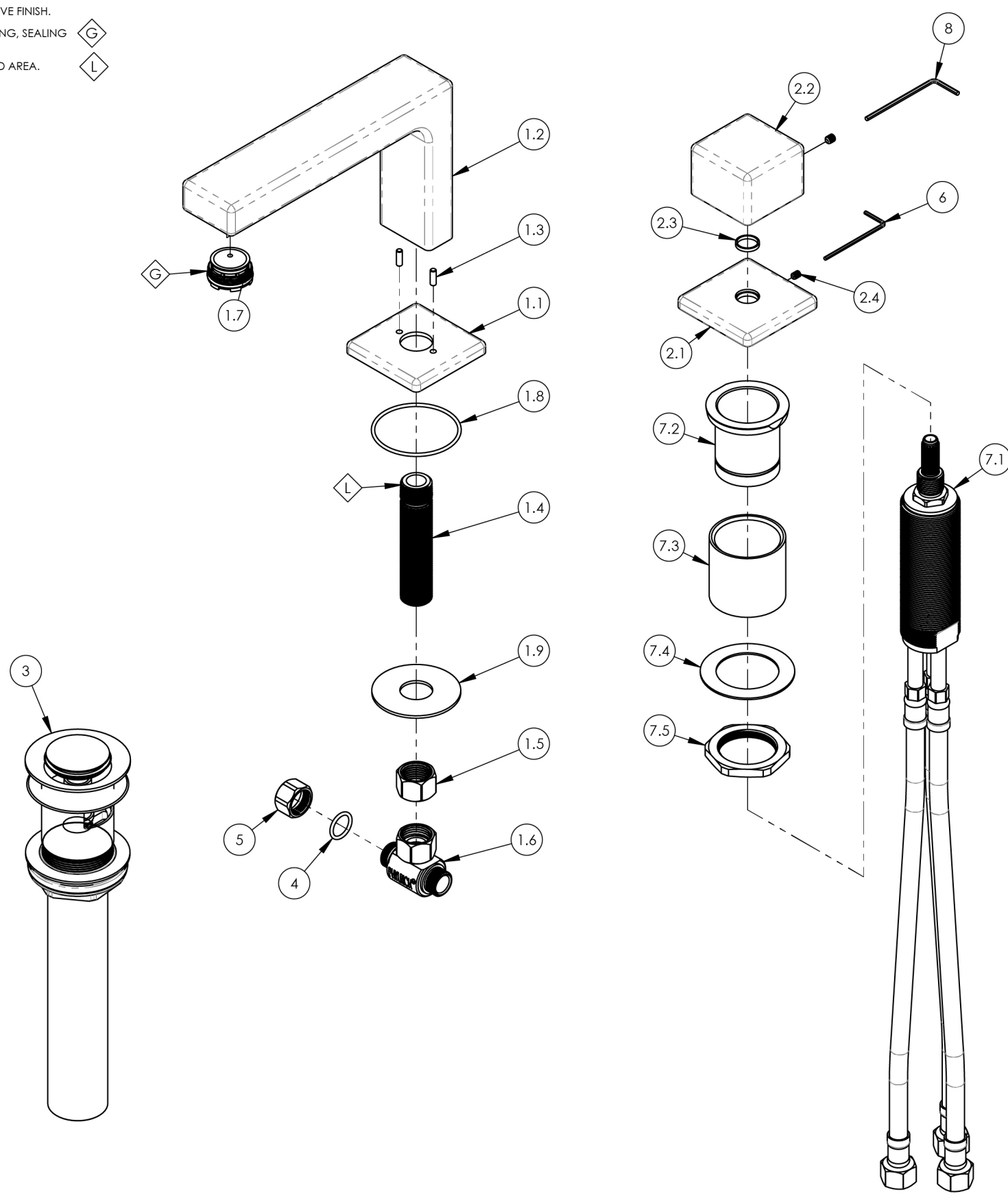


NOTE(S):
 1. PART NUMBER, "/00" DENOTES PART SHALL HAVE FINISH.
 2. APPLY NSF COMPLIANT GREASE TO ANY O-RING, SEALING JOINTS, AND/OR PIVOTAL POINTS.
 3. APPLY NSF COMPLIANT LOCTITE TO THREADED AREA.



| ITEM NO. | PART NUMBER | DESCRIPTION | QTY. |
|----------|-------------|--|------|
| 1 | 3-097/00 | ASSY, SPOUT WIDESPREAD LAV SOFT, LOW, MIX | 1 |
| 1.1 | 10933/00 | ESCUTCHEON, SPOUT LAV MIX SERIES | 1 |
| 1.2 | 10944/00 | SPOUT, WIDESPREAD LAV LOW MIX | 1 |
| 1.3 | 92158 | DOWEL PIN, 1/8" X 3/8"L | 2 |
| 1.4 | 10745 | THREAD ALL, 3/8"-18 NPSM | 1 |
| 1.5 | 10746 | NUT, 3/8"-18 NPSL | 1 |
| 1.6 | 1-112 | TEE VALVE, 3/8" NPSM X 3/8" COMPRESSION | 1 |
| 1.7 | 11427 | AERATOR, CACHE REG, PINK 1.2 GPM, M24X1.0, NEOPERL # 40.2360.010 | 1 |
| 1.8 | 90031 | O-RING, 1-3/4"ID X 1/16"THK, AS-568-031 | 1 |
| 1.9 | 92174 | WASHER, 1.860 O.D X .690 I.D | 1 |
| 2 | 3-102/00 | ASSY, HANDLE CUBE MIX | 1 |
| 2.1 | 10932/00 | THERM, SHOWER TRIM, THREE HANDLE, CROSS, CROI | 1 |
| 2.2 | 10926/00 | HANDLE, SQUARE/CUBE MIX SERIES | 1 |
| 2.3 | 92176 | WEAR WASHER | 1 |
| 2.4 | 92005 | SET SCREW, CUP PT 6-32 UNC THREAD 3/16"L | 1 |
| 2.5 | 92008 | SET SCREW, CUP POINT 8-32, 3/16" L. | 1 |
| 3 | 3-545/00 | BRASS PUSH TYPE DRAIN, W/ OVERFLOW & SMALL PLUG | 1 |
| 4 | 90014 | O-RING, 1/2"ID X 5/8"OD X 1/16"THK, AS-568-014 | 1 |
| 5 | 92492 | CAP NUT, 3/8" COMPRESSION | 1 |
| 6 | 92246 | HEX KEY 1/16, FOR 6-32 SET SCREW | 1 |
| 7 | 2-580 | VALVE KIT, FLUSH MOUNT, SINGLE HANDLE LAV | 1 |
| 7.1 | 1-054 | VALVE, DECK MOUNTED SINGLE HANDLE LAV DROP-IN | 1 |
| 7.2 | 11077 | SLEEVE MOUNT, DECK (ROMAN) TUB | 1 |
| 7.3 | 92180 | EXTENSION SLEEVE, WIDESPREAD | 1 |
| 7.4 | 92138 | BRASS WASHER, THIN | 1 |
| 7.5 | 92313 | HEX NUT, 1-1/4"-20 THREAD | 1 |
| 8 | 92021 | HEX KEY 5/64, FOR 8-32 SET SCREW | 1 |

| ZONE | REV. | DESCRIPTION | DATE | APPROVED |
|-----------|------|-------------|------|----------|
| REVISIONS | | | | |

1261 LOGAN AVENUE
 COSTA MESA, CALIFORNIA 92626
 PHONE: 714.361.4800
 FAX: 714.617.3120

PHYLIRICH
 Defining Luxury Since 1959

PROPRIETARY AND CONFIDENTIAL
 THE INFORMATION CONTAINED IN THIS DRAWING IS THE SOLE PROPERTY OF PHYLIRICH. ANY REPRODUCTION IN PART OR AS A WHOLE WITHOUT THE WRITTEN PERMISSION OF PHYLIRICH IS PROHIBITED.
 DO NOT SCALE DRAWING

WIDESPREAD LAV, LOW SPOUT, SINGLE CUBE HANDLE, MIX

| SIZE | ASM/PRT NO. | REV |
|---------------|--------------|--------------|
| B | 290L-16/00 | - |
| SCALE: 1:2.75 | WEIGHT: lbs. | SHEET 1 OF 2 |