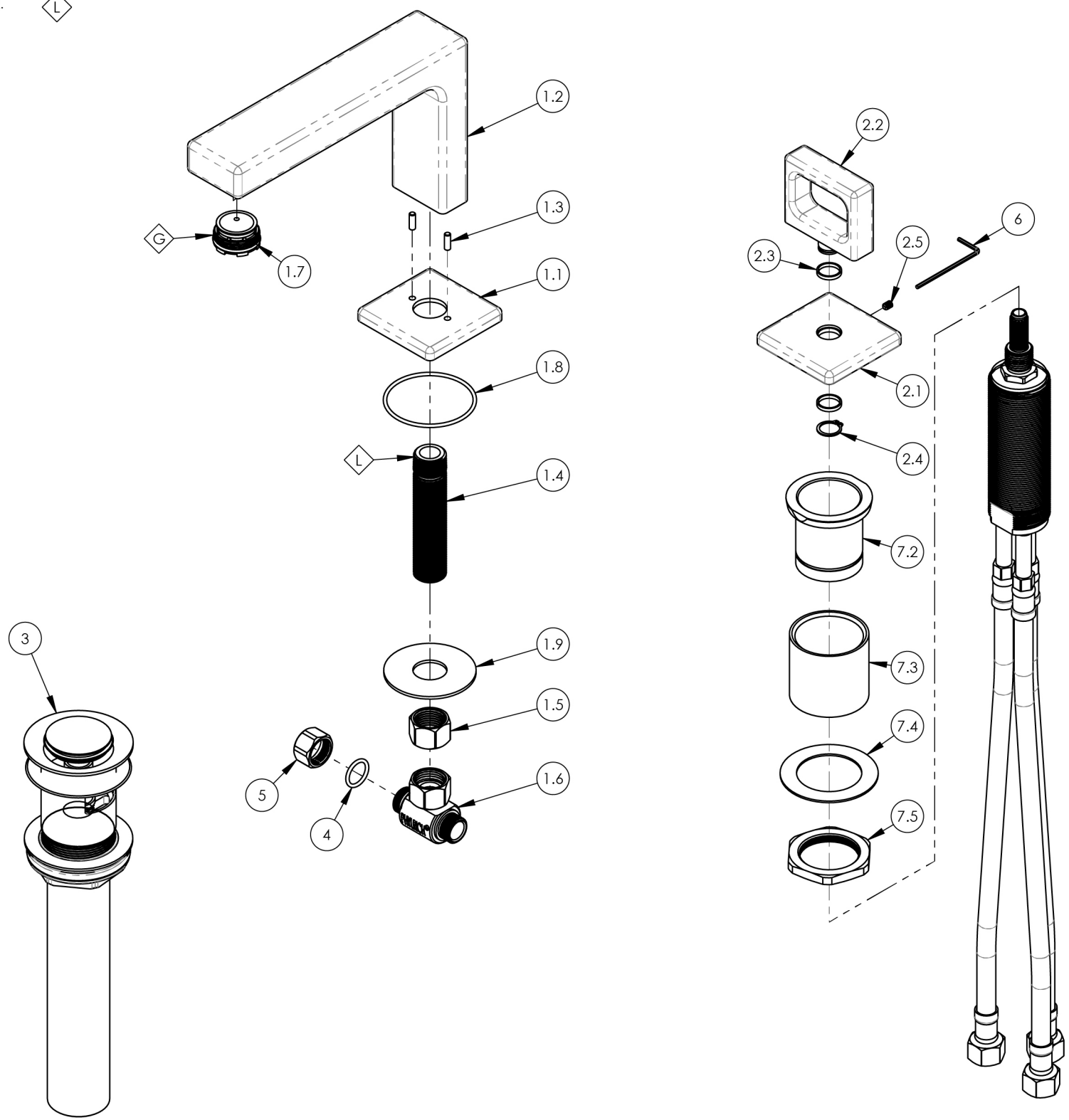


- NOTE(S):
 1. PART NUMBER, "/00" DENOTES PART SHALL HAVE FINISH.
 2. APPLY NSF COMPLIANT GREASE TO ANY O-RING, SEALING JOINTS, AND/OR PIVOTAL POINTS.
 3. APPLY NSF COMPLIANT LOCTITE TO THREADED AREA.



ITEM NO.	PART NUMBER	DESCRIPTION	QTY.
1	3-097/00	ASSY, SPOUT WIDESPREAD LAV SOFT, LOW, MIX	1
1.1	10933/00	ESCUTCHEON, SPOUT LAV MIX SERIES	1
1.2	10944/00	SPOUT, WIDESPREAD LAV LOW MIX	1
1.3	92158	DOWEL PIN, 1/8" X 3/8"L	2
1.4	10745	THREAD ALL, 3/8"-18 NPSM	1
1.5	10746	NUT, 3/8"-18 NPSL	1
1.6	1-112	TEE VALVE, 3/8" NPSM X 3/8" COMPRESSION	1
1.7	11427	AERATOR, CACHE REG, PINK 1.2 GPM, M24X1.0, NEOPERL # 40.2360.010	1
1.8	90031	O-RING, 1-3/4"ID X 1/16"THK, AS-568-031	1
1.9	92174	WASHER, 1.860 O.D X .690 I.D	1
2	3-103/00	ASSY, HANDLE WINDOW MIX	1
2.1	10932/00	THERM, SHOWER TRIM, THREE HANDLE, CROSS, CROI	1
2.2	10925/00	HANDLE, RING/WINDOW, MIX SERIES	1
2.3	92176	WEAR WASHER	2
2.4	92177	RETAINING RING, 7/16" SHAFT	1
2.5	92005	SET SCREW, CUP PT 6-32 UNC THREAD 3/16"L	1
3	3-545/00	BRASS PUSH TYPE DRAIN, W/ OVERFLOW & SMALL PLUG	1
4	90014	O-RING, 1/2"ID X 5/8"OD X 1/16"THK, AS-568-014	1
5	92492	CAP NUT, 3/8" COMPRESSION	1
6	92246	HEX KEY 1/16, FOR 6-32 SET SCREW	1
7	2-580	VALVE KIT, FLUSH MOUNT, SINGLE HANDLE LAV	1
7.1	1-054	VALVE, DECK MOUNTED SINGLE HANDLE LAV DROP-IN	1
7.1.1	12178	BODY, SINGLE HANDLE DECK LAV, PROGRESSIVE, DROP-IN	1
7.1.2	10488	STSR CARTRIDGE ST233, CLOSED TYPE	1
7.1.3	12179	NUT, SINGLE HANDLE DECK VALVE	1
7.1.4	90021	O-RING, 15/16"ID X 1-1/16"OD X 1/16"THK, AS-568-021	1
7.1.5	10561	HOSE, M8 EXT. - 3/8 COMP. X 16"L	3
7.1.6	92157	SCREW, SMALL HD M4X0.7 - 1/2"L	1
7.1.7	12180	STEM ADAPTOR, D-BROACH TO 16PT EXT	1
7.2	11077	SLEEVE MOUNT, DECK (ROMAN) TUB	1
7.3	92180	EXTENSION SLEEVE, WIDESPREAD	1
7.4	92138	BRASS WASHER, THIN	1
7.5	92313	HEX NUT, 1-1/4"-20 THREAD	1

ZONE	REV.	DESCRIPTION	DATE	APPROVED
REVISIONS				

1261 LOGAN AVENUE
 COSTA MESA, CALIFORNIA 92626
 PHONE: 714.361.4800
 FAX: 714.617.3120

PHYLIRICH[®]
 Defining Luxury Since 1959

PROPRIETARY AND CONFIDENTIAL
 THE INFORMATION CONTAINED IN THIS DRAWING IS THE SOLE PROPERTY OF PHYLIRICH. ANY REPRODUCTION IN PART OR AS A WHOLE WITHOUT THE WRITTEN PERMISSION OF PHYLIRICH IS PROHIBITED.
 DO NOT SCALE DRAWING

WIDESPREAD LAV, LOW SPOUT, SINGLE RING HANDLE, MIX

SIZE	ASM/PRT NO.	REV
B	290L-15/00	-
SCALE: 1:2.75	WEIGHT: lbs.	SHEET 1 OF 2