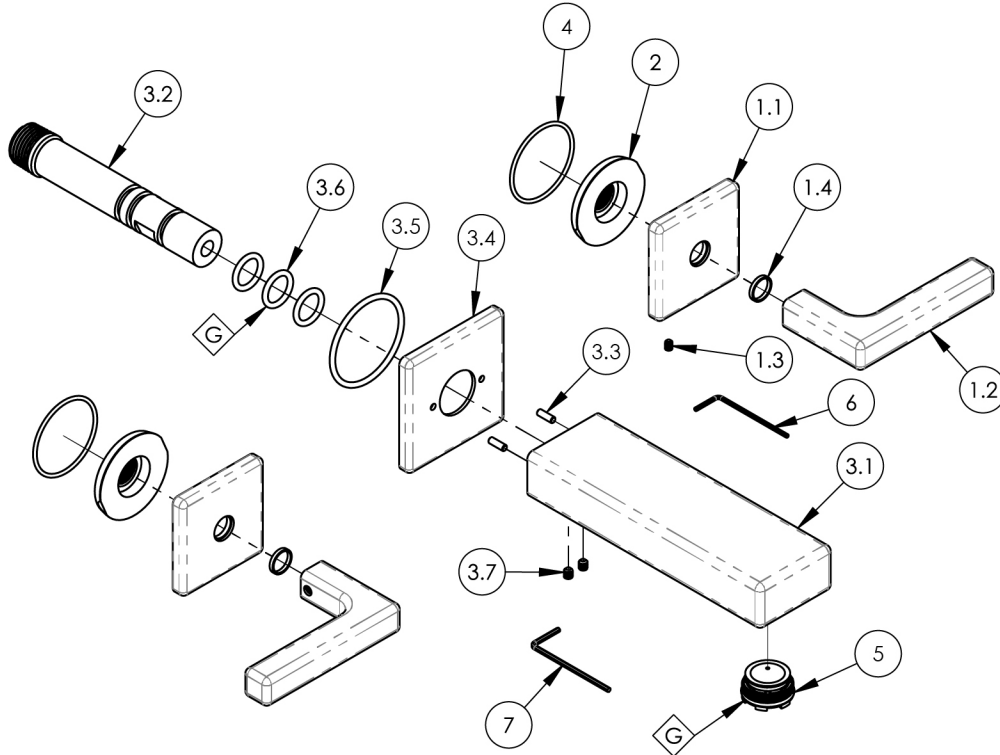


- NOTE(S):
1. PART NUMBER, "/00" DENOTES PART SHALL HAVE FINISH.
 2. APPLY NSF COMPLIANT GREASE TO ANY O-RING, SEALING JOINTS, AND/OR PIVOTAL POINTS.
 3. APPLY NSF COMPLIANT LOCTITE TO THREADED AREA.
 4. APPLY NSF COMPLIANT REMOVABLE (BLUE) LOCTITE TO THREADED AREA.
 5. SILVER SOLDER JOINTS SHALL BE FULLY WETTED VIA CAPILLARY ACTION AND COMPLETELY NON-POROUS.



ITEM NO.	PART NUMBER	DESCRIPTION	QTY.
1	3-100/00	ASSY. HANDLE LEVER MIX SERIES	2
1.1	10932/00	THERM, SHOWER TRIM, THREE HANDLE, CROSS, CROI	1
1.2	10924/00	HANDLE, LEVER MIX SERIES	1
1.3	92005	SET SCREW, CUP PT 6-32 UNC THREAD 3/16"L	1
1.4	92176	WEAR WASHER	1
1.5	92008	SET SCREW, CUP POINT 8-32, 3/16" L.	1
2	11003	SLEEVE MOUNT, WALL MT WIDESPREAD	2
3	3-999/00	ASSY, WALL SPOUT, 6", MIX	1
3.1	12704/00	WALL SPOUT, 6", MIX	1
3.2	10013	INJECTOR SHANK, 1/2"NPT MALE TO M16.5 CACHE W/ O-SEAL	1
3.3	92158	DOWEL PIN, 1/8" X 3/8"L	2
3.4	10934/00	ESCUTCHEON, SPOUT RT MIX SERIES	1
3.5	90131	O-RING, 1-11/16ID X 3/32THK, AS-568-131	1
3.6	90113	O-RING, 9/16"ID X 3/4"OD X 3/32"THK, AS-568-113	3
3.7	92008	SET SCREW, CUP POINT 8-32, 3/16" L.	2
4	90029	O-RING, 1-5/8"ID X 1-3/4"OD X 1/16"THK, AS-568-029	2
5	P05051	AERATOR, CACHE COINED SLOT M24X1.0 FULL FLOW	1
6	92246	HEX KEY 1/16, FOR 6-32 SET SCREW	1
7	92021	HEX KEY 5/64, FOR 8-32 SET SCREW	1

ZONE	REV.	DESCRIPTION	DATE	APPROVED
------	------	-------------	------	----------

REVISIONS

1261 LOGAN AVENUE
COSTA MESA, CALIFORNIA 92626
PHONE: 714.361.4800
FAX: 714.617.3120

PHYLIRICH[®]
Defining Luxury Since 1959

PROPRIETARY AND CONFIDENTIAL
THE INFORMATION CONTAINED IN THIS DRAWING IS THE SOLE PROPERTY OF PHYLIRICH. ANY REPRODUCTION IN PART OR AS A WHOLE WITHOUT THE WRITTEN PERMISSION OF PHYLIRICH IS PROHIBITED.
DO NOT SCALE DRAWING

WALL TUB SET, LEVER HANDLES, 6" L, MIX

SIZE A	ASM/PRT NO. 290-57-6/00	REV -
SCALE: 1:8	WEIGHT: lbs.	SHEET 1 OF 2