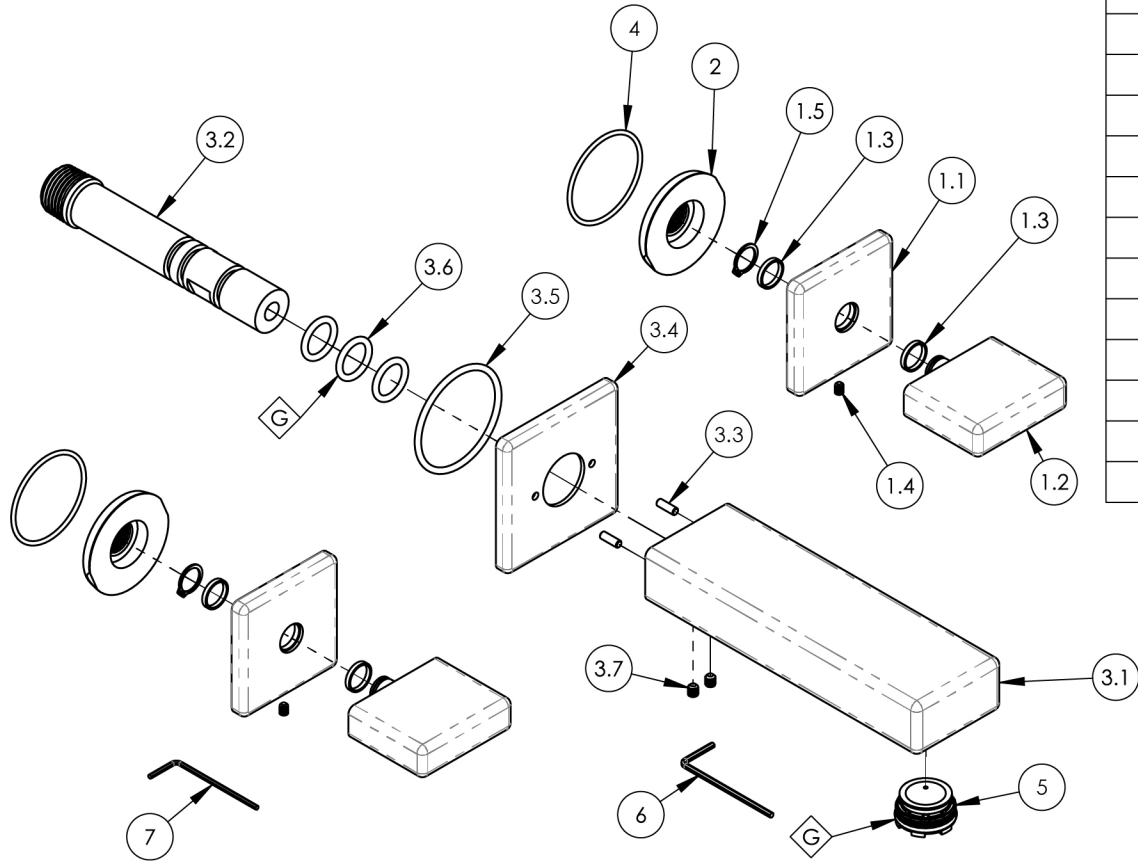


NOTE(S):

1. PART NUMBER, "/00" DENOTES PART SHALL HAVE FINISH.
2. APPLY NSF COMPLIANT GREASE TO ANY O-RING, SEALING JOINTS, AND/OR PIVOTAL POINTS.
3. APPLY NSF COMPLIANT LOCTITE TO THREADED AREA.
4. APPLY NSF COMPLIANT REMOVABLE (BLUE) LOCTITE TO THREADED AREA.
5. SILVER SOLDER JOINTS SHALL BE FULLY WETTED VIA CAPILLARY ACTION AND COMPLETELY NON-POROUS.



| ITEM NO. | PART NUMBER | DESCRIPTION   | QTY. |
|----------|-------------|---|------|
| 1        | 3-101/00    | ASSY, HANDLE BLADE MIX                                | 2    |
| 1.1      | 10932/00    | THERM, SHOWER TRIM, THREE HANDLE, CROSS, CROI         | 1    |
| 1.2      | 10923/00    | HANDLE, BLADE MIX SERIES                              | 1    |
| 1.3      | 92176       | WEAR WASHER   | 2    |
| 1.4      | 92005       | SET SCREW, CUP PT 6-32 UNC THREAD 3/16"L              | 1    |
| 1.5      | 92177       | RETAINING RING, 7/16" SHAFT                           | 1    |
| 2        | 11003       | SLEEVE MOUNT, WALL MT WIDESPREAD                      | 2    |
| 3        | 3-999/00    | ASSY, WALL SPOUT, 6", MIX                             | 1    |
| 3.1      | 12704/00    | WALL SPOUT, 6", MIX                                   | 1    |
| 3.2      | 10013       | INJECTOR SHANK, 1/2"NPT MALE TO M16.5 CACHE W/ O-SEAL | 1    |
| 3.3      | 92158       | DOWEL PIN, 1/8" X 3/8"L                               | 2    |
| 3.4      | 10934/00    | ESCUTCHEON, SPOUT RT MIX SERIES                       | 1    |
| 3.5      | 90131       | O-RING, 1-11/16ID X 3/32THK, AS-568-131               | 1    |
| 3.6      | 90113       | O-RING, 9/16"ID X 3/4"OD X 3/32"THK, AS-568-113       | 3    |
| 3.7      | 92008       | SET SCREW, CUP POINT 8-32, 3/16" L.                   | 2    |
| 4        | 90029       | O-RING, 1-5/8"ID X 1-3/4"OD X 1/16"THK, AS-568-029    | 2    |
| 5        | P05051      | AERATOR, CACHE COINED SLOT M24X1.0 FULL FLOW          | 1    |
| 6        | 92021       | HEX KEY 5/64, FOR 8-32 SET SCREW                      | 1    |
| 7        | 92246       | HEX KEY 1/16, FOR 6-32 SET SCREW                      | 1    |

| ZONE | REV. | DESCRIPTION | DATE | APPROVED |
|------|------|-------------|------|----------|
|------|------|-------------|------|----------|

REVISIONS

1261 LOGAN AVENUE  
COSTA MESA, CALIFORNIA 92626  
PHONE: 714.361.4800  
FAX: 714.617.3120

**PHYLIRICH**<sup>®</sup>  
Defining Luxury Since 1959

PROPRIETARY AND CONFIDENTIAL  
THE INFORMATION CONTAINED IN THIS DRAWING IS THE SOLE PROPERTY OF PHYLIRICH. ANY REPRODUCTION IN PART OR AS A WHOLE WITHOUT THE WRITTEN PERMISSION OF PHYLIRICH IS PROHIBITED.  
DO NOT SCALE DRAWING

WALL TUB SET, BLADE HANDLES, 6" L, MIX

SIZE

**A**

ASM/PRT NO.

290-56-6/00

REV

-

SCALE: 1:8

WEIGHT: lbs.

SHEET 1 OF 2