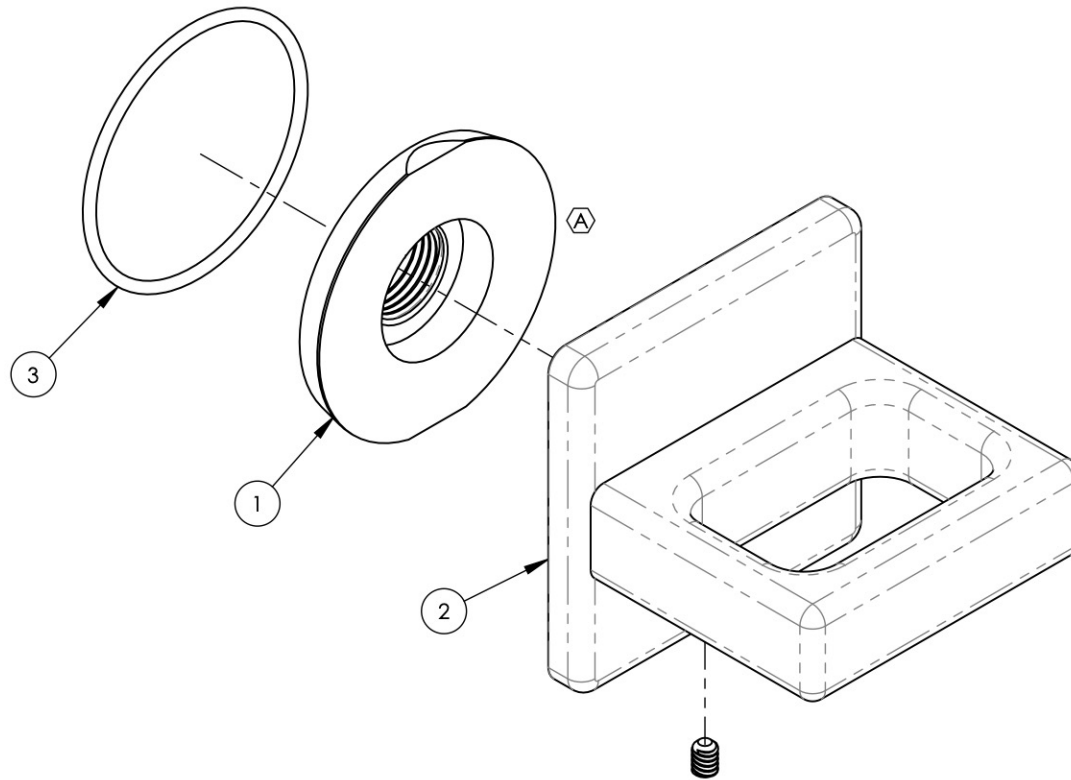


NOTE(S):
 1. PART NUMBER, "/00" DENOTES PART SHALL HAVE FINISH.

ITEM NO.	PART NUMBER	DESCRIPTION	QTY.
1	11003	SLEEVE MOUNT, WALL MT WIDESPREAD	1
2	3-103/00	ASSY, HANDLE WINDOW MIX	1
3	90029	O-RING, 1-5/8"ID X 1-3/4"OD X 1/16"THK, AS-568-029	1



ALL	A	UPDATE TEMPLATE, DWG NAME, SLEEVE MOUNT	11/15/2019	AMM
ZONE	REV.	DESCRIPTION	DATE	APPROVED
REVISIONS				

1261 LOGAN AVENUE
 COSTA MESA, CALIFORNIA 92626
 PHONE: 714.361.4800
 FAX: 714.617.3120

PHYLIRICH[®]
 Defining Luxury Since 1959

PROPRIETARY AND CONFIDENTIAL
 THE INFORMATION CONTAINED IN THIS DRAWING IS THE SOLE PROPERTY OF PHYLIRICH. ANY REPRODUCTION IN PART OR AS A WHOLE WITHOUT THE WRITTEN PERMISSION OF PHYLIRICH IS PROHIBITED.

-	-	INTERPRET GEOMETRIC DIMENSIONING & TOLERANCING IN ACCORDANCE WITH ASME Y14.5-2009 & ASME Y14.41-2003 STANDARDS, UNLESS OTHERWISE SPECIFIED. DIMENSIONS ARE IN INCHES. TOLERANCES ARE:		
NEXT ASSY	USED ON	FRACTIONS	DECIMALS	ANGULAR
APPLICATION		±1/16"	X.X: ±.1 X.XX: ±.01 X.XXX: ±.005	±2°
MATERIAL		NAME	DATE	
FINISH		DRAWN	CA	5/30/2013
DO NOT SCALE DRAWING		CHECKED		

**SHOWER ITEM, VOLUME CONTROL/
 DIVERTER, RING, MIX**

SIZE	ASM/PRT NO.	REV
A	290-37/00	A

SCALE: 1:1 WEIGHT: lbs. SHEET 1 OF 2