

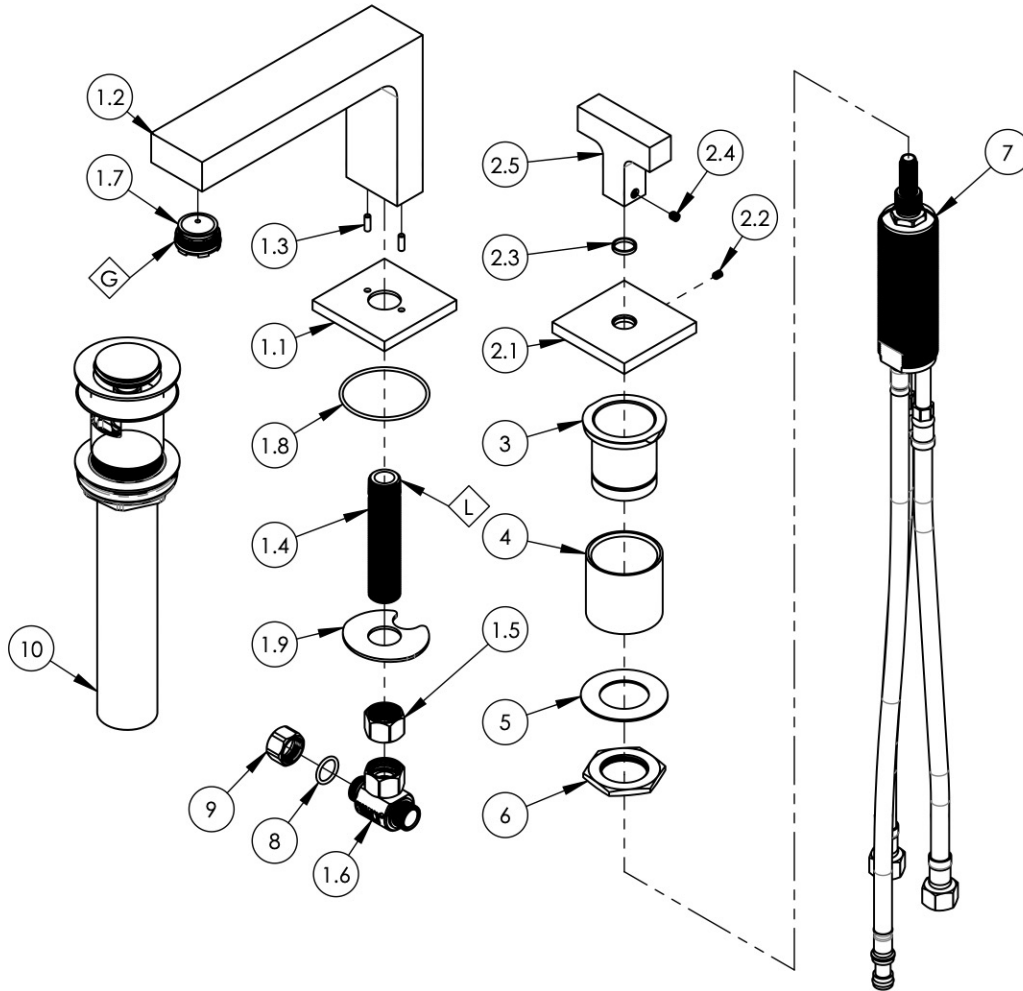
NOTE(S):
 1. PART NUMBER, "/00" DENOTES PART SHALL HAVE FINISH.

2. APPLY NSF COMPLIANT GREASE TO ANY O-RING, SEALING JOINTS, AND/OR PIVOTAL POINTS.

3. APPLY NSF COMPLIANT LOCTITE TO THREADED AREA.

4. APPLY NSF COMPLIANT REMOVABLE (BLUE) LOCTITE TO THREADED AREA.

5. SILVER SOLDER JOINTS SHALL BE FULLY WETTED VIA CAPILLARY ACTION AND COMPLETELY NON-POROUS.



ITEM NO.	PART NUMBER	DESCRIPTION	QTY.
1	3-810/00	ASSY, SPOUT WIDESPREAD LAV LOW, HARD EDGES, CROI	1
1.1	10938/00	ESCUTCHEON, SPOUT LAV EDGE SERIES	1
1.2	12329/00	SPOUT, WIDESPREAD LAV LOW HARD EDGES, CROI	1
1.3	92158	DOWEL PIN, 1/8" X 3/8"L	2
1.4	10745	THREAD ALL, 3/8"-18 NPSL - 3/8"NPT	1
1.5	10746	NUT, 3/8"-18 NPSL	1
1.6	1-112	TEE VALVE, 3/8" NPSM X 3/8" COMPRESSION	1
1.7	11427	AERATOR, CACHE REG, PINK 1.2 GPM, M24X1.0, NEOPERL # 40.2360.010	1
1.8	90031	O-RING, 1-3/4"ID X 1/16"THK, AS-568-031	1
1.9	92174	WASHER MOUNT WIDESPREAD (3/8")	1
2	3-799/00	ASSY, LEVER HANDLE, CROI SERIES	1
2.1	10937/00	ESCUTCHEON, HANDLE EDGE SERIES	1
2.2	92005	SET SCREW, CUP PT 6-32 UNC THREAD 3/16"L	1
2.3	92176	WEAR WASHER	1
2.4	92008	SET SCREW, CUP POINT 8-32, 3/16" L.	1
2.5	12298	LEVER HANDLE, CROI	1
3	11077	SLEEVE MOUNT, DECK (ROMAN) TUB	1
4	92180	EXTENSION SLEEVE, WIDESPREAD	1
5	92252	WASHER, 1-1/32" ID 1-13/16" OD	1
6	92251	HEX NUT, 1"-20 THREAD	1
7	1-055	VALVE, DECK MOUNTED SINGLE HANDLE KITCHEN DROP-IN	1
8	90014	O-RING, 1/2"ID X 5/8"OD X 1/16"THK, AS-568-014	1
9	92492	CAP NUT, 3/8" COMPRESSION	1
10	3-545/00	BRASS PUSH TYPE DRAIN, W/ OVERFLOW & SMALL PLUG	1

1261 LOGAN AVENUE
 COSTA MESA, CALIFORNIA 92626
 PHONE: 714.361.4800
 FAX: 714.617.3120

PHYLIRICH®
 Defining Luxury Since 1959

PROPRIETARY AND CONFIDENTIAL
 THE INFORMATION CONTAINED IN THIS DRAWING IS THE SOLE PROPERTY OF PHYLIRICH. ANY REPRODUCTION IN PART OR AS A WHOLE WITHOUT THE WRITTEN PERMISSION OF PHYLIRICH IS PROHIBITED.
DO NOT SCALE DRAWING

WIDESPREAD LAV, LOW SPOUT W/ LEVER HANDLE, CROI

SIZE **A** ASM/PRT NO. **255-05L/00** REV
 SCALE: 1:4 WEIGHT: lbs. SHEET 1 OF 2