

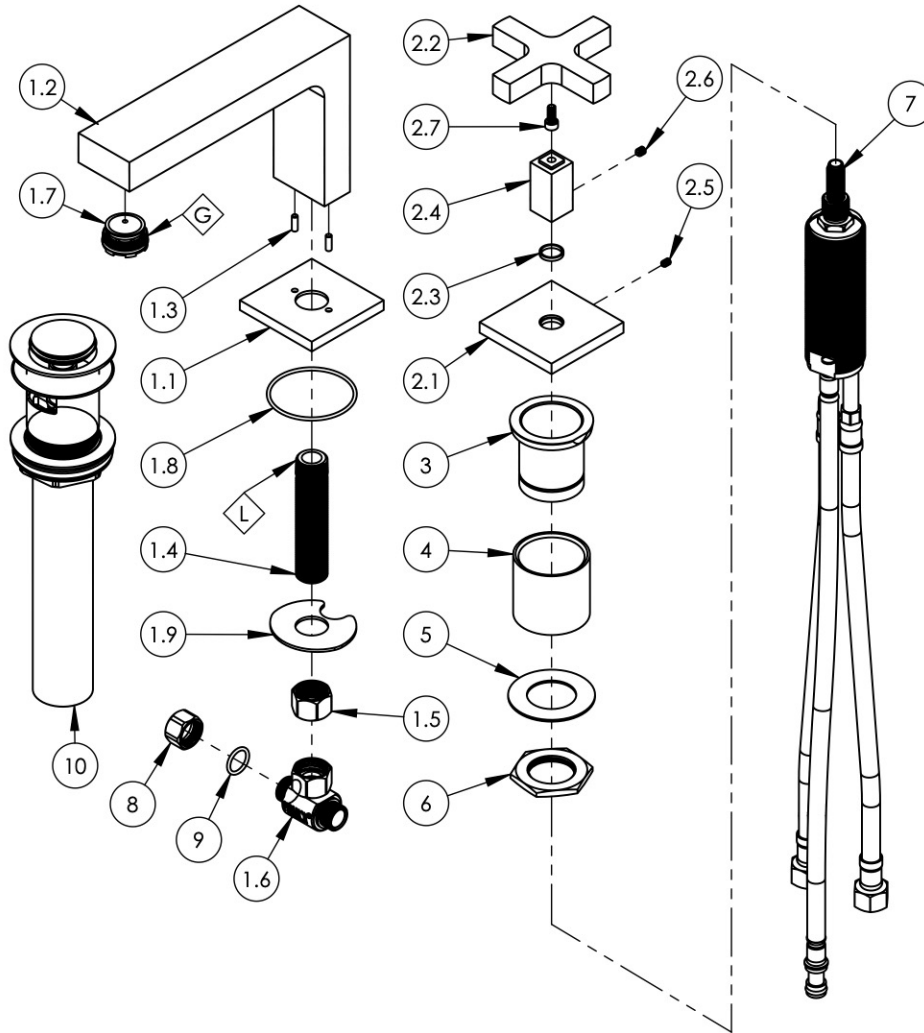
NOTE(S):
 1. PART NUMBER, "/00" DENOTES PART SHALL HAVE FINISH.

2. APPLY NSF COMPLIANT GREASE TO ANY O-RING, SEALING JOINTS, AND/OR PIVOTAL POINTS.

3. APPLY NSF COMPLIANT LOCTITE TO THREADED AREA.

4. APPLY NSF COMPLIANT REMOVABLE (BLUE) LOCTITE TO THREADED AREA.

5. SILVER SOLDER JOINTS SHALL BE FULLY WETTED VIA CAPILLARY ACTION AND COMPLETELY NON-POROUS.



ITEM NO.	PART NUMBER	DESCRIPTION	QTY.
1	3-810/00	ASSY, SPOUT WIDESPREAD LAV LOW, HARD EDGES, CROI	1
1.1	10938/00	ESCUTCHEON, SPOUT LAV EDGE SERIES	1
1.2	12329/00	SPOUT, WIDESPREAD LAV LOW HARD EDGES, CROI	1
1.3	92158	DOWEL PIN, 1/8" X 3/8"L	2
1.4	10745	THREAD ALL, 3/8"-18 NPSL - 3/8"NPT	1
1.5	10746	NUT, 3/8"-18 NPSL	1
1.6	1-112	TEE VALVE, 3/8" NPSM X 3/8" COMPRESSION	1
1.7	11427	AERATOR, CACHE REG, PINK 1.2 GPM, M24X1.0, NEOPERL # 40.2360.010	1
1.8	90031	O-RING, 1-3/4"ID X 1/16"THK, AS-568-031	1
1.9	92174	WASHER MOUNT WIDESPREAD (3/8")	1
2	3-792	ASSY, CROSS HANDLE, SQUARE POST, CROI	1
2.1	10937/00	ESCUTCHEON, HANDLE EDGE SERIES	1
2.2	12300/00	HANDLE CROSS, CONTEMPORARY 16PT	1
2.3	92176	WEAR WASHER	1
2.4	12271	SQUARE POST MODERN HUB	1
2.5	92005	SET SCREW, CUP PT 6-32 UNC THREAD 3/16"L	1
2.6	92008	SET SCREW, CUP POINT 8-32, 3/16" L.	1
2.7	92013	SCREW, SOCKET HD CAP 8-32 THREAD, 3/8" LENGTH	1
3	11077	SLEEVE MOUNT, DECK (ROMAN) TUB	1
4	92180	EXTENSION SLEEVE, WIDESPREAD	1
5	92252	WASHER, 1-1/32" ID 1-13/16" OD	1
6	92251	HEX NUT, 1"-20 THREAD	1
7	1-055	VALVE, DECK MOUNTED SINGLE HANDLE KITCHEN DROP-IN	1
8	92492	CAP NUT, 3/8" COMPRESSION	1
9	90014	O-RING, 1/2"ID X 5/8"OD X 1/16"THK, AS-568-014	1
10	3-545/00	BRASS PUSH TYPE DRAIN, W/ OVERFLOW & SMALL PLUG	1

REVISIONS

ZONE	REV.	DESCRIPTION	DATE	APPROVED

PROPRIETARY AND CONFIDENTIAL
 THE INFORMATION CONTAINED IN THIS DRAWING IS THE SOLE PROPERTY OF PHYLRICH. ANY REPRODUCTION IN PART OR AS A WHOLE WITHOUT THE WRITTEN PERMISSION OF PHYLRICH IS PROHIBITED.
DO NOT SCALE DRAWING

PHYLRICH®
 Defining Luxury Since 1959

1261 LOGAN AVENUE
 COSTA MESA, CALIFORNIA 92626
 PHONE: 714.361.4800
 FAX: 714.617.3120

WIDESPREAD LAV, LOW SPOUT W/
 CROSS, CROI

SIZE A	ASM/PRT NO. 255-04L/00	REV
SCALE: 1:4	WEIGHT: lbs.	SHEET 1 OF 2