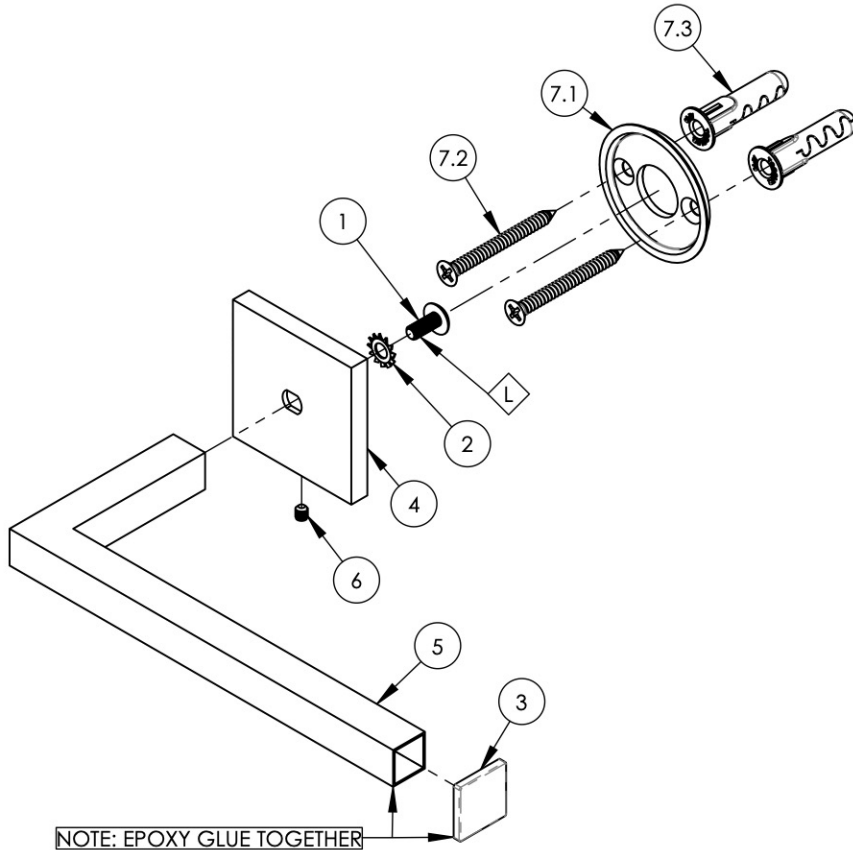


- NOTE(S):
 1. PART NUMBER, "/00" DENOTES PART SHALL HAVE FINISH.
 2. APPLY NSF COMPLIANT GREASE TO ANY O-RING, SEALING JOINTS, AND/OR PIVOTAL POINTS.
 3. APPLY NSF COMPLIANT LOCTITE TO THREADED AREA.
 4. APPLY NSF COMPLIANT REMOVABLE (BLUE) LOCTITE TO THREADED AREA.
 5. SILVER SOLDER JOINTS SHALL BE FULLY WETTED VIA CAPILLARY ACTION AND COMPLETELY NON-POROUS.



ITEM NO.	PART NUMBER	DESCRIPTION	QTY.
1	92504	18-8 SS TRUSS HEAD PHILLIPS SCREW, M5X0.8, 12MM L	1
2	92505	18-8 SS EXT.TOOTH LOCK WASHER FOR #12 SCREW	1
3	12228/00	END CAP, ACCESSORIE3S, PURCHASED, MIX/ STRIA	1
4	12338/00	ESCUTCHEON, ACCESSORIES, CROI	1
5	12225/00	BAR, HAND TOWEL HOLDER, PURCHASED, MIX/ STRIA	1
6	92008	SET SCREW, CUP POINT 8-32, 3/16" L.	1
7	2-098	MOUNTING KIT FOR MIX/EDGE SERIES	1
7.1	30042	WALL MOUNTING PLATE	1
7.2	92043	SCREW, FLAT HD #10 SIZE W/ #2 PHIL DRIVE, 2"L	2
7.3	92046	ANCHOR SCREW 3/8" HOLE, TOGGLER AF10	2

ZONE	REV.	DESCRIPTION	DATE	APPROVED
------	------	-------------	------	----------

REVISIONS

1261 LOGAN AVENUE
 COSTA MESA, CALIFORNIA 92626
 PHONE: 714.361.4800
 FAX: 714.617.3120

PHYL RICH[®]
 Defining Luxury Since 1959

PROPRIETARY AND CONFIDENTIAL
 THE INFORMATION CONTAINED IN THIS DRAWING IS THE SOLE PROPERTY OF PHYL RICH. ANY REPRODUCTION IN PART OR AS A WHOLE WITHOUT THE WRITTEN PERMISSION OF PHYL RICH IS PROHIBITED.
DO NOT SCALE DRAWING

HAND TOWEL BAR, ACCESSORIES, CROI

SIZE A	ASM/PRT NO. 255-75/00	REV -
SCALE: 1:2.5	WEIGHT: lbs.	SHEET 1 OF 2