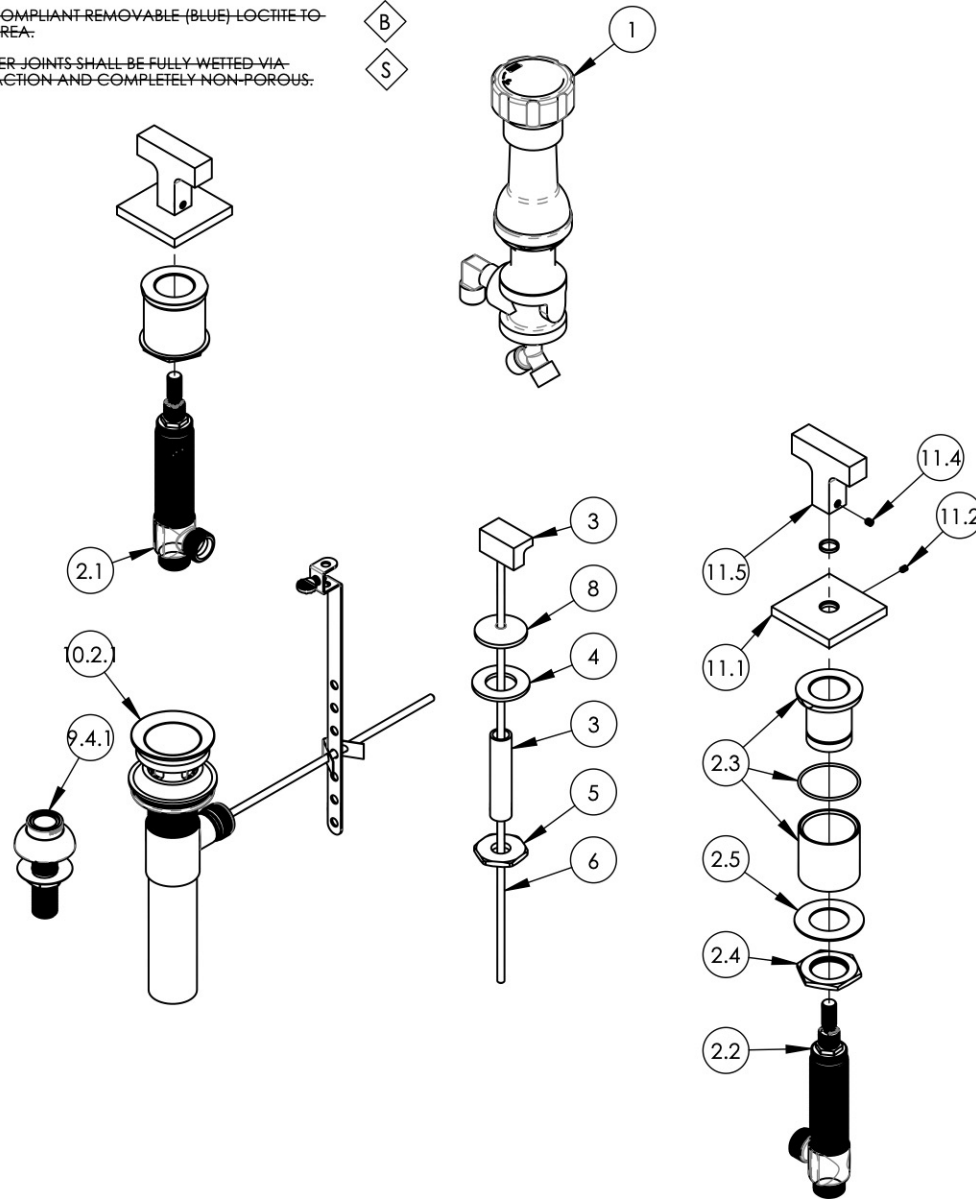


- NOTE(S):
1. PART NUMBER, "/00" DENOTES PART SHALL HAVE FINISH.
 2. APPLY NSF COMPLIANT GREASE TO ANY O-RING, SEALING JOINTS, AND/OR PIVOTAL POINTS.
 3. APPLY NSF COMPLIANT LOCTITE TO THREADED AREA.
 4. APPLY NSF COMPLIANT REMOVABLE (BLUE) LOCTITE TO THREADED AREA.
 5. SILVER SOLDER JOINTS SHALL BE FULLY WETTED VIA CAPILLARY ACTION AND COMPLETELY NON-POROUS.



ITEM NO.	PART NUMBER	DESCRIPTION	QTY.
1	3-160/00	BIDET DIVERTER, COMPLETE	1
2	1-700	WIDESPREAD VALVE 16PT, HOT & COLD, W/ FLUSH MOUNTING KITS	1
2.1	1-149	WIDESPREAD VALVE LAV 16PT, HOT, ONLY	1
2.2	1-150	WIDESPREAD VALVE LAV 16PT, COLD, ONLY	1
2.3	2-410	RECESSED FLUSHED MOUNTING KIT FOR WIDESPREAD W/O WASHER/NUT	2
2.4	92251	HEX NUT, 1"-20 THREAD	2
2.5	92252	WASHER, 1-1/32" ID 1-13/16" OD	2
3	P32010	9/16-20 x 56 NIPPLE FOR COMPRESSION STEM	1
4	P35026	3/4" SAE FLAT WASHER	1
5	P09006	SPECIAL HEX F/BIDET SPRAYER	1
6	10719/00	POP-UP ROD, 10-24, 14" LONG	1
7	10957/00	POP-UP KNOB, EDGE SERIES	1
8	10845/00	ESCUTCHEON BASE, BIDET POP-UP	1
9	3-085/00	ASSY, BIDET SPRAYER	1
10	3-046/00	POP-UP DRAIN ASSEMBLY (2-101, 2-102, & 2-246)	1
11	3-799/00	ASSY, LEVER HANDLE, CROI SERIES	2
11.1	10937/00	ESCUTCHEON, HANDLE EDGE SERIES	1
11.2	92005	SET SCREW, CUP PT 6-32 UNC THREAD 3/16"L	1
11.3	92176	WEAR WASHER	1
11.4	92008	SET SCREW, CUP POINT 8-32, 3/16" L.	1
11.5	12298	LEVER HANDLE, CROI	1

1261 LOGAN AVENUE
COSTA MESA, CALIFORNIA 92626
PHONE: 714.361.4800
FAX: 714.617.3120

PHYLIRICH[®]
Defining Luxury Since 1959

PROPRIETARY AND CONFIDENTIAL
THE INFORMATION CONTAINED IN THIS DRAWING IS THE SOLE PROPERTY OF PHYLIRICH. ANY REPRODUCTION IN PART OR AS A WHOLE WITHOUT THE WRITTEN PERMISSION OF PHYLIRICH IS PROHIBITED.
DO NOT SCALE DRAWING

FOUR HOLE BIDET SET, LEVER, CROI

SIZE A	ASM/PRT NO. 255-61/00	REV -
SCALE: 1:5	WEIGHT: lbs.	SHEET 1 OF 2