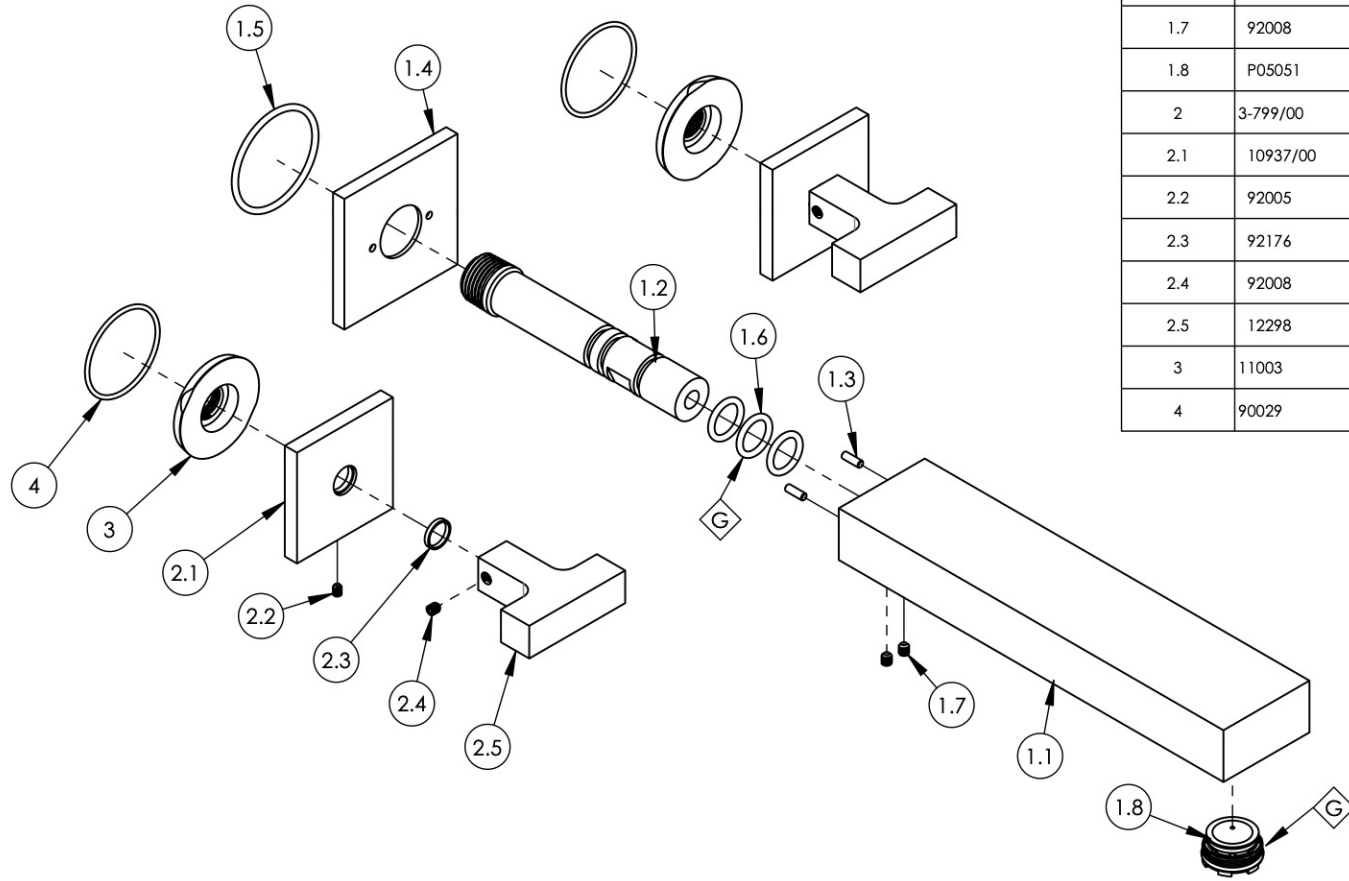


- NOTE(S):
1. PART NUMBER, "/00" DENOTES PART SHALL HAVE FINISH.
 2. APPLY NSF COMPLIANT GREASE TO ANY O-RING, SEALING JOINTS, AND/OR PIVOTAL POINTS.
 3. APPLY NSF COMPLIANT LOCTITE TO THREADED AREA.
 4. APPLY NSF COMPLIANT REMOVABLE (BLUE) LOCTITE TO THREADED AREA.
 5. SILVER SOLDER JOINTS SHALL BE FULLY WETTED VIA CAPILLARY ACTION AND COMPLETELY NON-POROUS.

-  G
-  L
-  B
-  S



ITEM NO.	PART NUMBER	DESCRIPTION	QTY.
1	3-825/00	SPOUT, WALL TUB SET, CROI	1
1.1	12330/00	SPOUT, WALL MOUNT, ROMAN TUB, CROI	1
1.2	10013	INJECTOR SHANK, 1/2"NPT MALE TO M16.5 CACHE W/ O-SEAL	1
1.3	92158	DOWEL PIN, 1/8" X 3/8"L	2
1.4	10939/00	ESCUTCHEON, WIDESPREAD	1
1.5	90131	O-RING, 1-11/16ID X 3/32THK, AS-568-131	1
1.6	90113	O-RING, 9/16"ID X 3/4"OD X 3/32"THK, AS-568-113	3
1.7	92008	SET SCREW, CUP POINT 8-32, 3/16" L.	2
1.8	P05051	AERATOR, CACHE COINED SLOT M24X1.0 FULL FLOW	1
2	3-799/00	ASSY, LEVER HANDLE, CROI SERIES	2
2.1	10937/00	ESCUTCHEON, HANDLE EDGE SERIES	1
2.2	92005	SET SCREW, CUP PT 6-32 UNC THREAD 3/16" L.	1
2.3	92176	WEAR WASHER	1
2.4	92008	SET SCREW, CUP POINT 8-32, 3/16" L.	1
2.5	12298	LEVER HANDLE, CROI	1
3	11003	SLEEVE MOUNT, WALL MT WIDESPREAD	2
4	90029	O-RING, 1-5/8"ID X 1-3/4"OD X 1/16"THK, AS-568-029	2

1261 LOGAN AVENUE
COSTA MESA, CALIFORNIA 92626
PHONE: 714.361.4800
FAX: 714.617.3120

PHYLIRICH[®]
Defining Luxury Since 1959

PROPRIETARY AND CONFIDENTIAL
THE INFORMATION CONTAINED IN THIS DRAWING IS THE SOLE PROPERTY OF PHYLIRICH. ANY REPRODUCTION IN PART OR AS A WHOLE WITHOUT THE WRITTEN PERMISSION OF PHYLIRICH IS PROHIBITED.
DO NOT SCALE DRAWING

WALL TUB SET, LEVER, CROI

SIZE A	ASM/PRT NO. 255-57/00	REV -
SCALE: 1:3	WEIGHT: lbs.	SHEET 1 OF 2