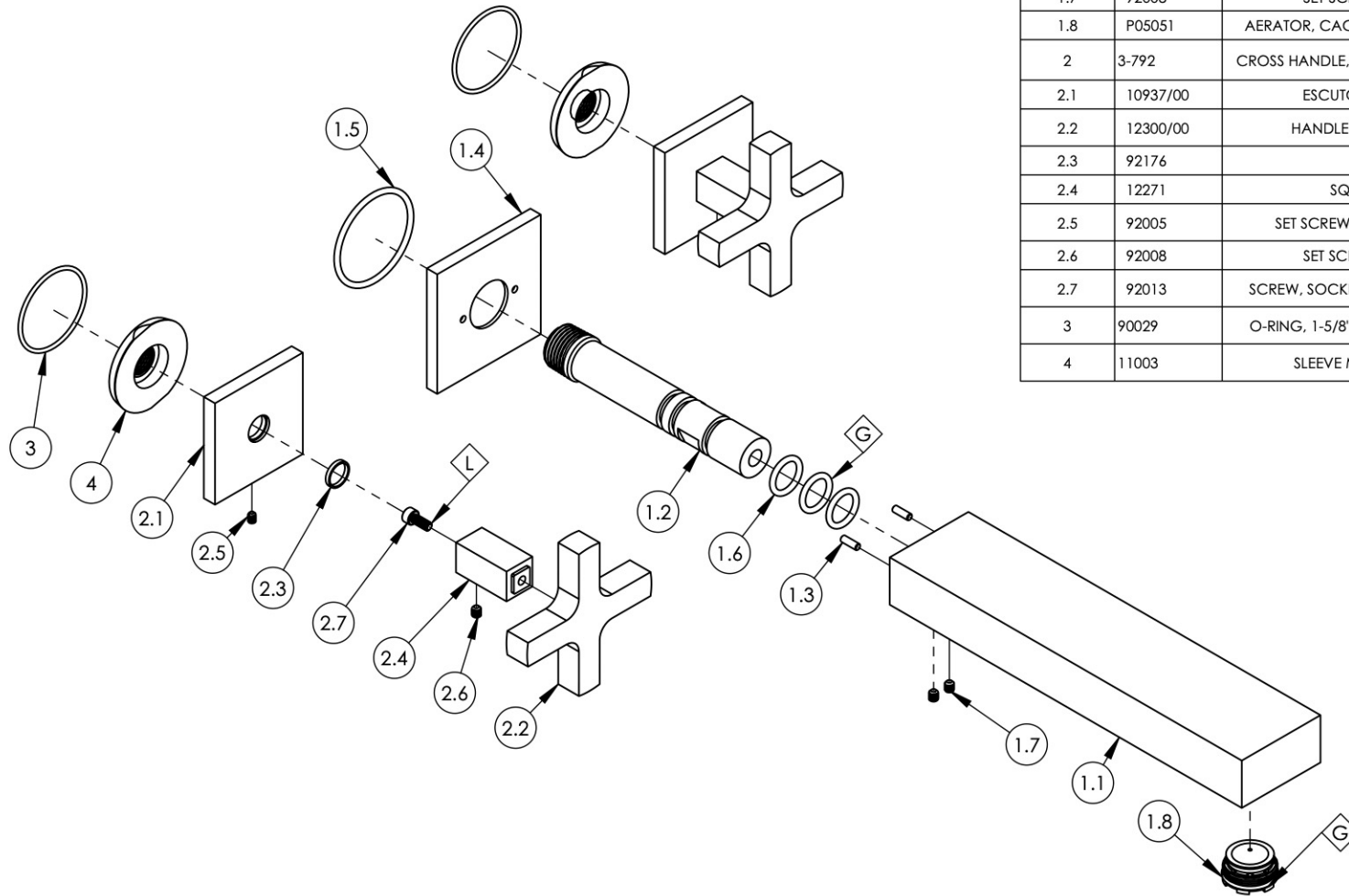


- NOTE(S):
 1. PART NUMBER, "/00" DENOTES PART SHALL HAVE FINISH.
 2. APPLY NSF COMPLIANT GREASE TO ANY O-RING, SEALING JOINTS, AND/OR PIVOTAL POINTS. G
 3. APPLY NSF COMPLIANT LOCTITE TO THREADED AREA. L
 4. APPLY NSF COMPLIANT REMOVABLE (BLUE) LOCTITE TO THREADED AREA. B
 5. SILVER SOLDER JOINTS SHALL BE FULLY WETTED VIA-CAPILLARY ACTION AND COMPLETELY NON-POROUS. S



ITEM NO.	PART NUMBER	DESCRIPTION	QTY.
1	3-825/00	SPOUT, WALL TUB SET, CROI	1
1.1	12330/00	SPOUT, WALL MOUNT, ROMAN TUB, CROI	1
1.2	10013	INJECTOR SHANK, 1/2"NPT MALE TO M16.5 CACHE W/ O-SEAL	1
1.3	92158	DOWEL PIN, 1/8" X 3/8"L	2
1.4	10939/00	ESCUTCHEON, WIDESPREAD	1
1.5	90131	O-RING, 1-11/16ID X 3/32THK, AS-568-131	1
1.6	90113	O-RING, 9/16"ID X 3/4"OD X 3/32"THK, AS-568-113	3
1.7	92008	SET SCREW, CUP POINT 8-32, 3/16" L.	2
1.8	P05051	AERATOR, CACHE COINED SLOT M24X1.0 FULL FLOW	1
2	3-792	CROSS HANDLE, ESCUTCHEON, W/ SQUARE POST ASSY	2
2.1	10937/00	ESCUTCHEON, HANDLE EDGE SERIES	1
2.2	12300/00	HANDLE CROSS, CONTEMPORARY 16PT	1
2.3	92176	WEAR WASHER	1
2.4	12271	SQUARE POST MODERN HUB	1
2.5	92005	SET SCREW, CUP PT 6-32 UNC THREAD 3/16"L	1
2.6	92008	SET SCREW, CUP POINT 8-32, 3/16" L.	1
2.7	92013	SCREW, SOCKET HD CAP 8-32 THREAD, 3/8" LENGTH	1
3	90029	O-RING, 1-5/8"ID X 1-3/4"OD X 1/16"THK, AS-568-029	2
4	11003	SLEEVE MOUNT, WALL MT WIDESPREAD	2

1261 LOGAN AVENUE
 COSTA MESA, CALIFORNIA 92626
 PHONE: 714.361.4800
 FAX: 714.617.3120

PHYLIRICH[®]
 Defining Luxury Since 1959

PROPRIETARY AND CONFIDENTIAL
 THE INFORMATION CONTAINED IN THIS DRAWING IS THE SOLE PROPERTY OF PHYLIRICH. ANY REPRODUCTION IN PART OR AS A WHOLE WITHOUT THE WRITTEN PERMISSION OF PHYLIRICH IS PROHIBITED.
DO NOT SCALE DRAWING

WALL TUB SET, CROSS, CROI

SIZE A	ASM/PRT NO. 255-56/00	REV
SCALE: 1:3	WEIGHT: lbs.	SHEET 1 OF 2