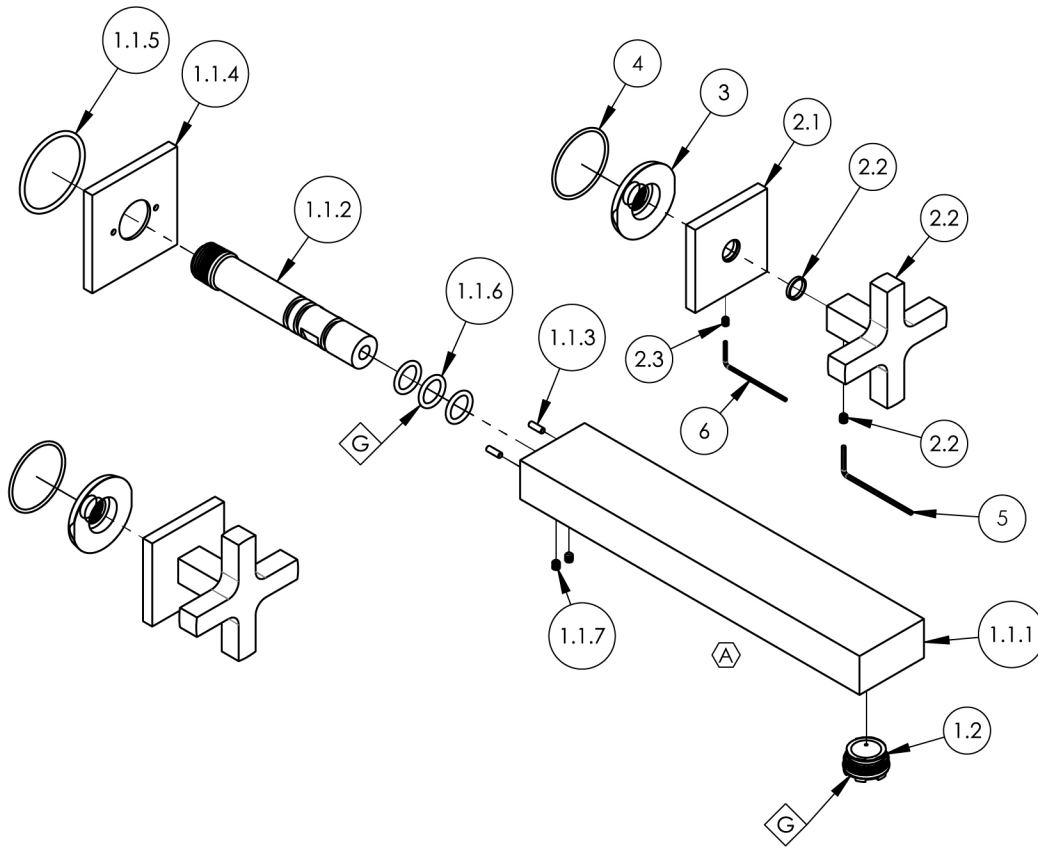


- NOTE(S):
 1. PART NUMBER, "/00" DENOTES PART SHALL HAVE FINISH.
 2. APPLY NSF COMPLIANT GREASE TO ANY O-RING, SEALING JOINTS, AND/OR PIVOTAL POINTS.
 3. APPLY NSF COMPLIANT LOCTITE TO THREADED AREA.
 4. APPLY NSF COMPLIANT REMOVABLE (BLUE) LOCTITE TO THREADED AREA.
 5. SILVER SOLDER JOINTS SHALL BE FULLY WETTED VIA CAPILLARY ACTION AND COMPLETELY NON-POROUS.



ITEM NO.	PART NUMBER	DESCRIPTION	QTY.
1	3-1046/00	WALL TUB SPOUT, 9-1/2" REACH CROI	1
1.1	3-996/00	ASSY, WALL SPOUT, 10", CROI	1
1.1.1	12701/00	SPOUT, WALL MOUNT, 10", CROI	1
1.1.2	10013	INJECTOR SHANK, 1/2"NPT MALE TO M16.5 CACHE W/ O-SEAL	1
1.1.3	92158	DOWEL PIN, 1/8" X 3/8"L	2
1.1.4	10939/00	ESCUTCHEON, WIDESPREAD	1
1.1.5	90131	O-RING, 1-11/16ID X 3/32THK, AS-568-131	1
1.1.6	90113	O-RING, 9/16"ID X 3/4"OD X 3/32THK, AS-568-113	3
1.1.7	92008	SET SCREW, CUP POINT 8-32, 3/16" L.	2
1.2	P05051	AERATOR, CACHE COINED SLOT M24X1.0 FULL FLOW	1
2	3-792/00	ASSY, CROSS HANDLE, SQUARE POST, CROI	2
2.1	10937/00	ESCUTCHEON, HANDLE, MIX/STRIA/CROI	1
2.2	3-841/00	CROSS HANDLE, CROI, ASSY	1
2.3	92005	SET SCREW, CUP PT 6-32 UNC THREAD 3/16"L	1
3	11003	SLEEVE MOUNT, WALL MT WIDESPREAD	2
4	90029	O-RING, 1-5/8"ID X 1-3/4"OD X 1/16"THK, AS-568-029	2
5	92021	HEX KEY 5/64, FOR 8-32 SET SCREW	1
6	92246	HEX KEY 1/16, FOR 6-32 SET SCREW	1

B3	A	UPDATED SPOUT ASSEMBLY	4/6/2026	RAH
ZONE	REV.	DESCRIPTION	DATE	APPROVED

REVISIONS

1261 LOGAN AVENUE
 COSTA MESA, CALIFORNIA 92626
 PHONE: 714.361.4800
 FAX: 714.617.3120

PHYLIRICH[®]
 Defining Luxury Since 1959

PROPRIETARY AND CONFIDENTIAL
 THE INFORMATION CONTAINED IN THIS DRAWING IS THE SOLE PROPERTY OF PHYLIRICH. ANY REPRODUCTION IN PART OR AS A WHOLE WITHOUT THE WRITTEN PERMISSION OF PHYLIRICH IS PROHIBITED.
 DO NOT SCALE DRAWING

WALL TUB SET, CROSS HANDLES, 10" L, CROI

SIZE	ASM/PRT NO.	REV
A	255-56-10/00	A
SCALE: 1:8	WEIGHT: lbs.	SHEET 1 OF 2