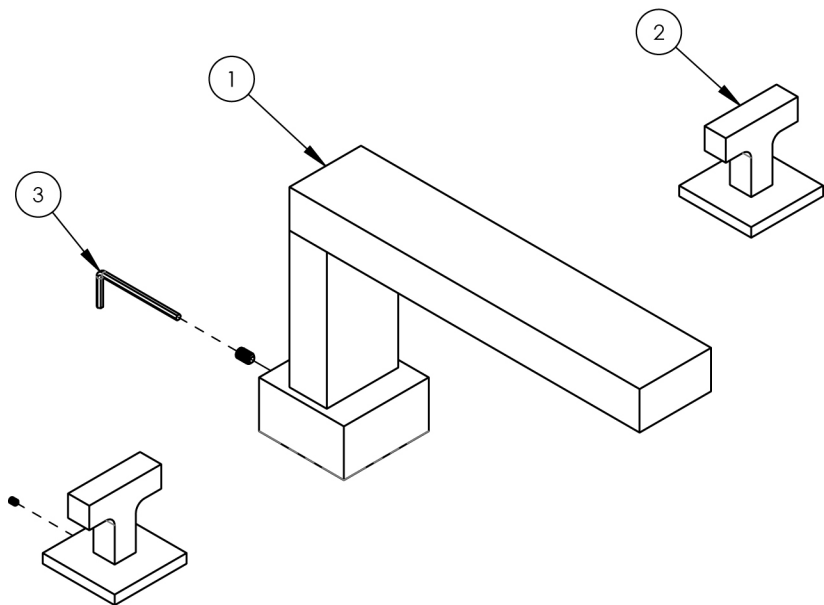


ITEM NO.	PART NUMBER	DESCRIPTION	QTY.
1	3-812/00	DECK TUB SPOUT, CROI, ASSY	1
2	3-799/00	ASSY, LEVER HANDLE, CROI SERIES	2
3	92216	HEX L-KEY 1/8" HEX x 2-5/16"L	1

- NOTE(S):
- PART NUMBER, "/00" DENOTES PART SHALL HAVE FINISH.
  - APPLY NSF-COMPLIANT GREASE TO ANY O-RING, SEALING JOINTS, AND/OR PIVOTAL POINTS. G
  - APPLY NSF-COMPLIANT LOCTITE TO THREADED AREA. L
  - APPLY NSF-COMPLIANT REMOVABLE (BLUE) LOCTITE TO THREADED AREA. B
  - SILVER SOLDER JOINTS SHALL BE FULLY WETTED VIA-CAPILLARY ACTION AND COMPLETELY NON-POROUS. S



ZONE	REV.	DESCRIPTION	DATE	APPROVED
REVISIONS				

1261 LOGAN AVENUE  
COSTA MESA, CALIFORNIA 92626  
PHONE: 714.361.4800  
FAX: 714.617.3120

**PHYLIRICH**<sup>®</sup>  
Defining Luxury Since 1959

PROPRIETARY AND CONFIDENTIAL  
THE INFORMATION CONTAINED IN THIS DRAWING IS THE SOLE PROPERTY OF PHYLIRICH. ANY REPRODUCTION IN PART OR AS A WHOLE WITHOUT THE WRITTEN PERMISSION OF PHYLIRICH IS PROHIBITED.

-	-	INTERPRET GEOMETRIC DIMENSIONING & TOLERANCING IN ACCORDANCE WITH ASME Y14.5-2009 & ASME Y14.41-2003 STANDARDS, UNLESS OTHERWISE SPECIFIED. DIMENSIONS ARE IN INCHES. TOLERANCES ARE:		
-	-	FRACTIONS ±1/16"	DECIMALS X.X: ±.1 X.XX: ±.01 X.XXX: ±.005	ANGULAR ±2°
NEXT ASSY		USED ON		
APPLICATION				
MATERIAL		NAME	DATE	
FINISH		DRAWN	CA	5/28/2013
DO NOT SCALE DRAWING		CHECKED	MAF	

DECK TUB SET, LEVER, CROI

SIZE	ASM/PRT NO.	REV
<b>A</b>	255-41/00	-

SCALE: 1:4      WEIGHT: lbs.      SHEET 1 OF 2