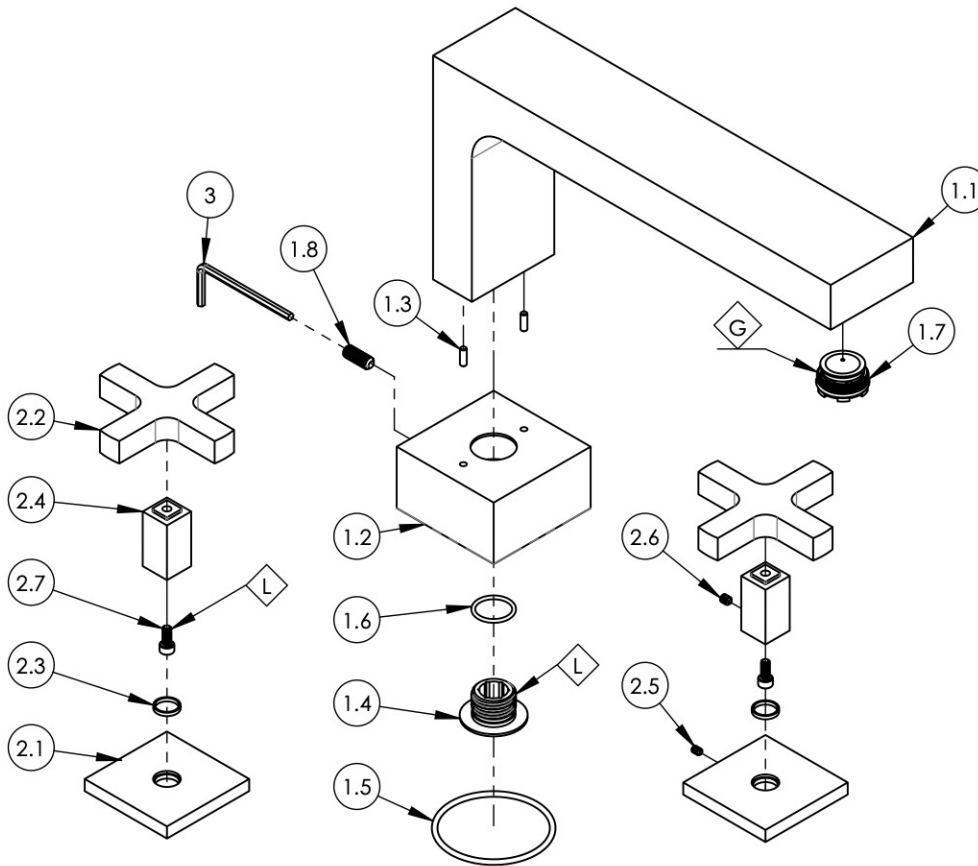


- NOTE(S):
1. PART NUMBER, "/00" DENOTES PART SHALL HAVE FINISH.
 2. APPLY NSF COMPLIANT GREASE TO ANY O-RING, SEALING JOINTS, AND/OR PIVOTAL POINTS.
 3. APPLY NSF COMPLIANT LOCTITE TO THREADED AREA.
 4. APPLY NSF COMPLIANT REMOVABLE (BLUE) LOCTITE TO THREADED AREA.
 5. SILVER SOLDER JOINTS SHALL BE FULLY WETTED VIA CAPILLARY ACTION AND COMPLETELY NON-POROUS.



ITEM NO.	PART NUMBER	DESCRIPTION	QTY.
1	3-812/00	ASSEMBLY, SPOUT ROMAN TUB, LOW, CROI	1
1.1	12331/00	SPOUT, DECK TUB, CROI	1
1.2	12332/00	ESCUTCHEON, DECK SPOUT, CROI	1
1.3	92158	DOWEL PIN, 1/8" X 3/8"L	2
1.4	11220	SPUD SCREW, 1/2"-NPSM CONNECTOR	1
1.5	90137	O-RING, 2-1/16"ID X 3/32"THK., AS-568-137	1
1.6	90017	O-RING, 11/16"ID X 13/16"OD X 1/16"THK, AS-568-017	1
1.7	P05051	AERATOR, CACHE COINED SLOT M24X1.0 FULL FLOW	1
1.8	92262	SET SCREW, CUP PT 1/4"-20 X 5/8"L	1
2	3-792	CROSS HANDLE, ESCUTCHEON, W/ SQUARE POST ASSY	2
2.1	10937/00	ESCUTCHEON, HANDLE EDGE SERIES	1
2.2	12300/00	HANDLE CROSS, CONTEMPORARY 16PT	1
2.3	92176	WEAR WASHER	1
2.4	12271	SQUARE POST MODERN HUB	1
2.5	92005	SET SCREW, CUP PT 6-32 UNC THREAD 3/16"L	1
2.6	92008	SET SCREW, CUP POINT 8-32, 3/16" L.	1
2.7	92013	SCREW, SOCKET HD CAP 8-32 THREAD, 3/8" LENGTH	1
3	92216	HEX L-KEY 1/8" HEX x 2-5/16"L	1

1261 LOGAN AVENUE
COSTA MESA, CALIFORNIA 92626
PHONE: 714.361.4800
FAX: 714.617.3120

PHYLIRICH[®]
Defining Luxury Since 1959

PROPRIETARY AND CONFIDENTIAL
THE INFORMATION CONTAINED IN THIS DRAWING IS THE SOLE PROPERTY OF PHYLIRICH. ANY REPRODUCTION IN PART OR AS A WHOLE WITHOUT THE WRITTEN PERMISSION OF PHYLIRICH IS PROHIBITED.
DO NOT SCALE DRAWING

DECK TUB SET, CROSS, CROI

SIZE A	ASM/PRT NO. 255-40/00	REV -
SCALE: 1:3.5	WEIGHT: lbs.	SHEET 1 OF 2