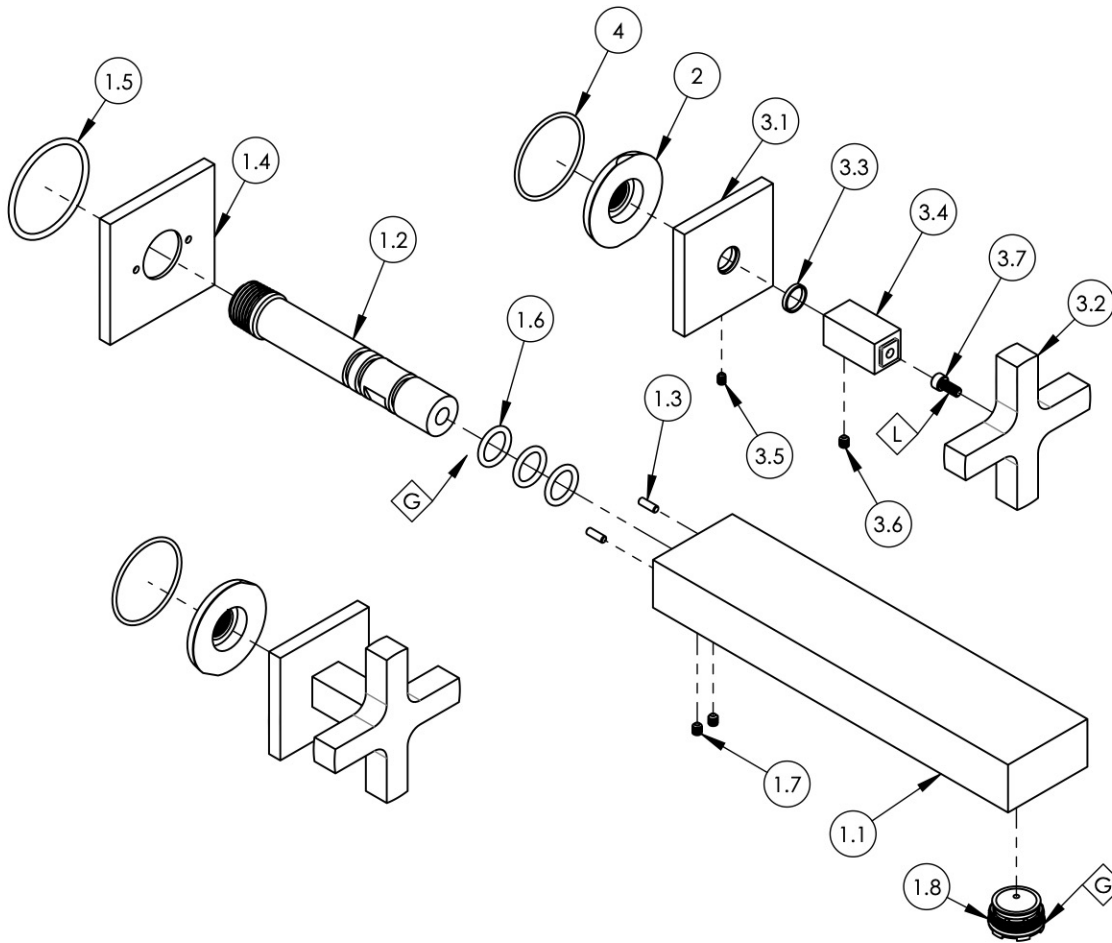


NOTE(S):

1. PART NUMBER, "/00" DENOTES PART SHALL HAVE FINISH.
2. APPLY NSF COMPLIANT GREASE TO ANY O-RING, SEALING JOINTS, AND/OR PIVOTAL POINTS. ◇ G
3. APPLY NSF COMPLIANT LOCTITE TO THREADED AREA. ◇ L
4. APPLY NSF COMPLIANT REMOVABLE (BLUE) LOCTITE TO THREADED AREA. ◇ B
5. SILVER SOLDER JOINTS SHALL BE FULLY WETTED VIA CAPILLARY ACTION AND COMPLETELY NON-POROUS. ◇ S



ITEM NO.	PART NUMBER	DESCRIPTION	QTY.
1	3-811/00	SPOUT, WALL LAV, CROI	1
1.1	12330/00	SPOUT, WALL MOUNT, ROMAN TUB, CROI	1
1.2	10013	INJECTOR SHANK, 1/2"NPT MALE TO M16.5 CACHE W/ O-SEAL	1
1.3	92158	DOWEL PIN, 1/8" X 3/8"L	2
1.4	10939/00	ESCUTCHEON, WIDESPREAD	1
1.5	90131	O-RING, 1-11/16ID X 3/32THK, AS-568-131	1
1.6	90113	O-RING, 9/16"ID X 3/4"OD X 3/32"THK, AS-568-113	3
1.7	92008	SET SCREW, CUP POINT 8-32, 3/16" L.	2
1.8	11427	AERATOR, CACHE REG. PINK 1.2 GPM, M24X1.0, NEOPERL # 40.2360.010	1
2	11003	SLEEVE MOUNT, WALL MT WIDESPREAD	2
3	3-792	ASSY, CROSS HANDLE, SQUARE POST, CROI	2
3.1	10937/00	ESCUTCHEON, HANDLE EDGE SERIES	1
3.2	12300/00	HANDLE CROSS, CONTEMPORARY 16PT	1
3.3	92176	WEAR WASHER	1
3.4	12271	SQUARE POST MODERN HUB	1
3.5	92005	SET SCREW, CUP PT 6-32 UNC THREAD 3/16"L	1
3.6	92008	SET SCREW, CUP POINT 8-32, 3/16" L.	1
3.7	92013	SCREW, SOCKET HD CAP 8-32 THREAD, 3/8" LENGTH	1
4	90029	O-RING, 1-5/8"ID X 1-3/4"OD X 1/16"THK, AS-568-029	2

1261 LOGAN AVENUE
COSTA MESA, CALIFORNIA 92626
PHONE: 714.361.4800
FAX: 714.617.3120

PHYLIRICH®
Defining Luxury Since 1959

PROPRIETARY AND CONFIDENTIAL
THE INFORMATION CONTAINED IN THIS DRAWING IS THE SOLE PROPERTY OF PHYLIRICH. ANY REPRODUCTION IN PART OR AS A WHOLE WITHOUT THE WRITTEN PERMISSION OF PHYLIRICH IS PROHIBITED.
DO NOT SCALE DRAWING

WALL LAV SET, CROSS, CROI

SIZE A	ASM/PRT NO. 255-11/00	REV -
SCALE: 1:3.25	WEIGHT: lbs.	SHEET 1 OF 2