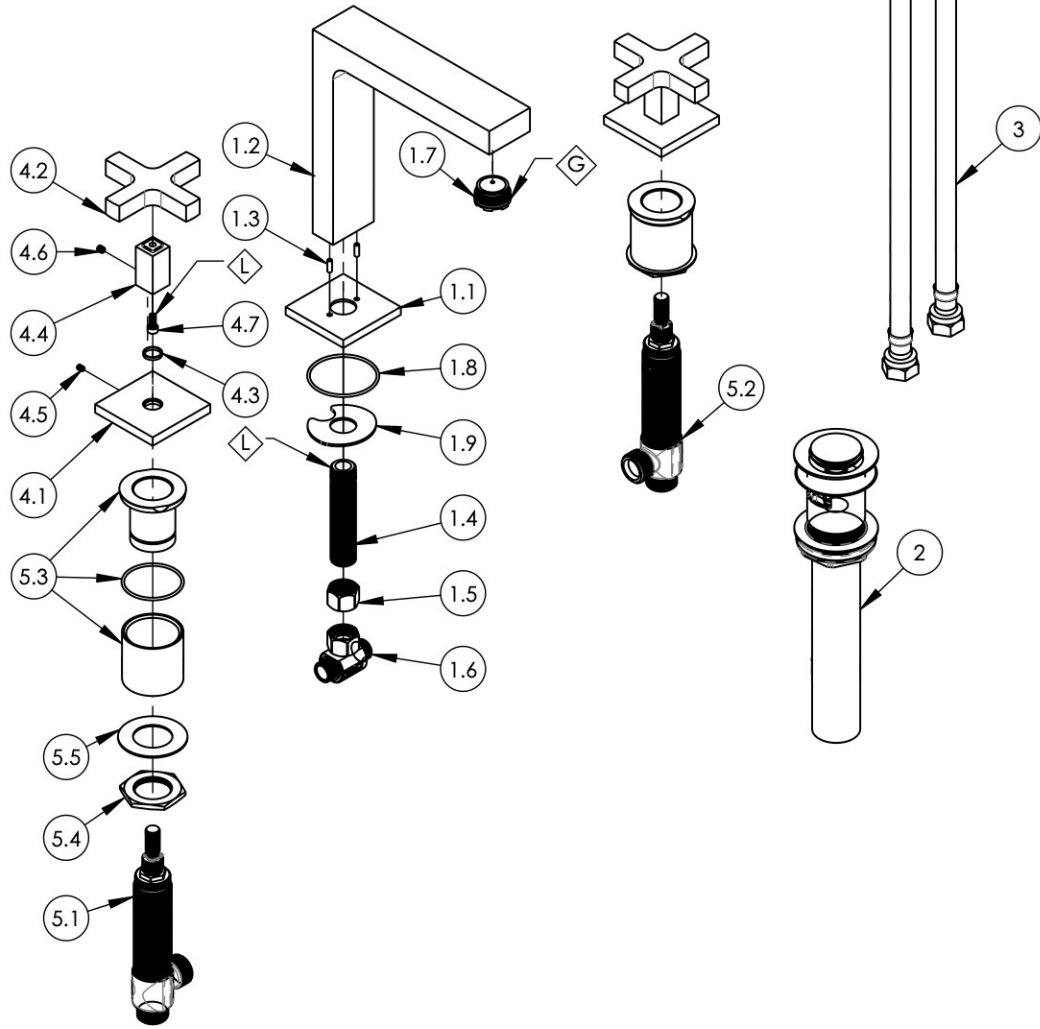


- NOTE(S):
 1. PART NUMBER, "/00" DENOTES PART SHALL HAVE FINISH.
 2. APPLY NSF COMPLIANT GREASE TO ANY O-RING, SEALING JOINTS, AND/OR PIVOTAL POINTS.
 3. APPLY NSF COMPLIANT LOCTITE TO THREADED AREA.
 4. APPLY NSF COMPLIANT REMOVABLE (BLUE) LOCTITE TO THREADED AREA.
 5. SILVER SOLDER JOINTS SHALL BE FULLY WETTED VIA CAPILLARY ACTION AND COMPLETELY NON POROUS.

G
L
B
S



ITEM NO.	PART NUMBER	DESCRIPTION	QTY.
1	3-809/00	ASSY, SPOUT WIDESPREAD LAV HARD EDGES, HIGH, CROI	1
1.1	10938/00	ESCUTCHEON, SPOUT LAV EDGE SERIES	1
1.2	12328/00	SPOUT, WIDESPREAD LAV, HIGH HARD EDGES, CROI	1
1.3	92158	DOWEL PIN, 1/8" X 3/8"L	2
1.4	10745	THREAD ALL, 3/8"-18 NPSL - 3/8"NPT	1
1.5	10746	NUT, 3/8"-18 NPSL	1
1.6	1-112	TEE VALVE, 3/8" NPSM X 3/8" COMPRESSION	1
1.7	11427	AERATOR, CACHE REG, PINK 1.2 GPM, M24X1.0, NEOPERL # 40.2360.010	1
1.8	90031	O-RING, 1-3/4"ID X 1/16"THK, AS-568-031	1
1.9	92174	WASHER MOUNT WIDESPREAD (3/8")	1
2	3-545/00	BRASS PUSH TYPE DRAIN, W/ OVERFLOW & SMALL PLUG	1
3	10982	HOSE, 3/8" COMP. X 1/2" NPSM - 12"L	2
4	3-792	CROSS HANDLE, ESCUTCHEON, W/ SQUARE POST ASSY	2
4.1	10937/00	ESCUTCHEON, HANDLE EDGE SERIES	1
4.2	12300/00	HANDLE CROSS, CONTEMPORARY 16PT	1
4.3	92176	WEAR WASHER	1
4.4	12271	SQUARE POST MODERN HUB	1
4.5	92005	SET SCREW, CUP PT 6-32 UNC THREAD 3/16"L	1
4.6	92008	SET SCREW, CUP POINT 8-32, 3/16" L.	1
4.7	92013	SCREW, SOCKET HD CAP 8-32 THREAD, 3/8" LENGTH	1
5	1-700	WIDESPREAD VALVE 16PT, HOT & COLD, W/ FLUSH MOUNTING KITS	1
5.1	1-149	WIDESPREAD VALVE LAV 16PT, HOT, ONLY	1
5.2	1-150	WIDESPREAD VALVE LAV 16PT, COLD, ONLY	1
5.3	2-410	RECESSED FLUSHED MOUNTING KIT FOR WIDESPREAD W/O WASHER/NUT	2
5.4	92251	HEX NUT, 1"-20 THREAD	2
5.5	92252	WASHER, 1-1/32" ID 1-13/16" OD	2

REVISIONS				
ZONE	REV.	DESCRIPTION	DATE	APPROVED

1261 LOGAN AVENUE
 COSTA MESA, CALIFORNIA 92626
 PHONE: 714.361.4800
 FAX: 714.617.3120

PHYLIRICH®
 Defining Luxury Since 1959

PROPRIETARY AND CONFIDENTIAL
 THE INFORMATION CONTAINED IN THIS DRAWING IS THE SOLE PROPERTY OF PHYLIRICH. ANY REPRODUCTION IN PART OR AS A WHOLE WITHOUT THE WRITTEN PERMISSION OF PHYLIRICH IS PROHIBITED.
DO NOT SCALE DRAWING

WIDESPREAD LAV, HIGH SPOUT W/
 CROSS, CROI

SIZE A	ASM/PRT NO. 255-01/00	REV -
SCALE: 1:5	WEIGHT: lbs.	SHEET 1 OF 2