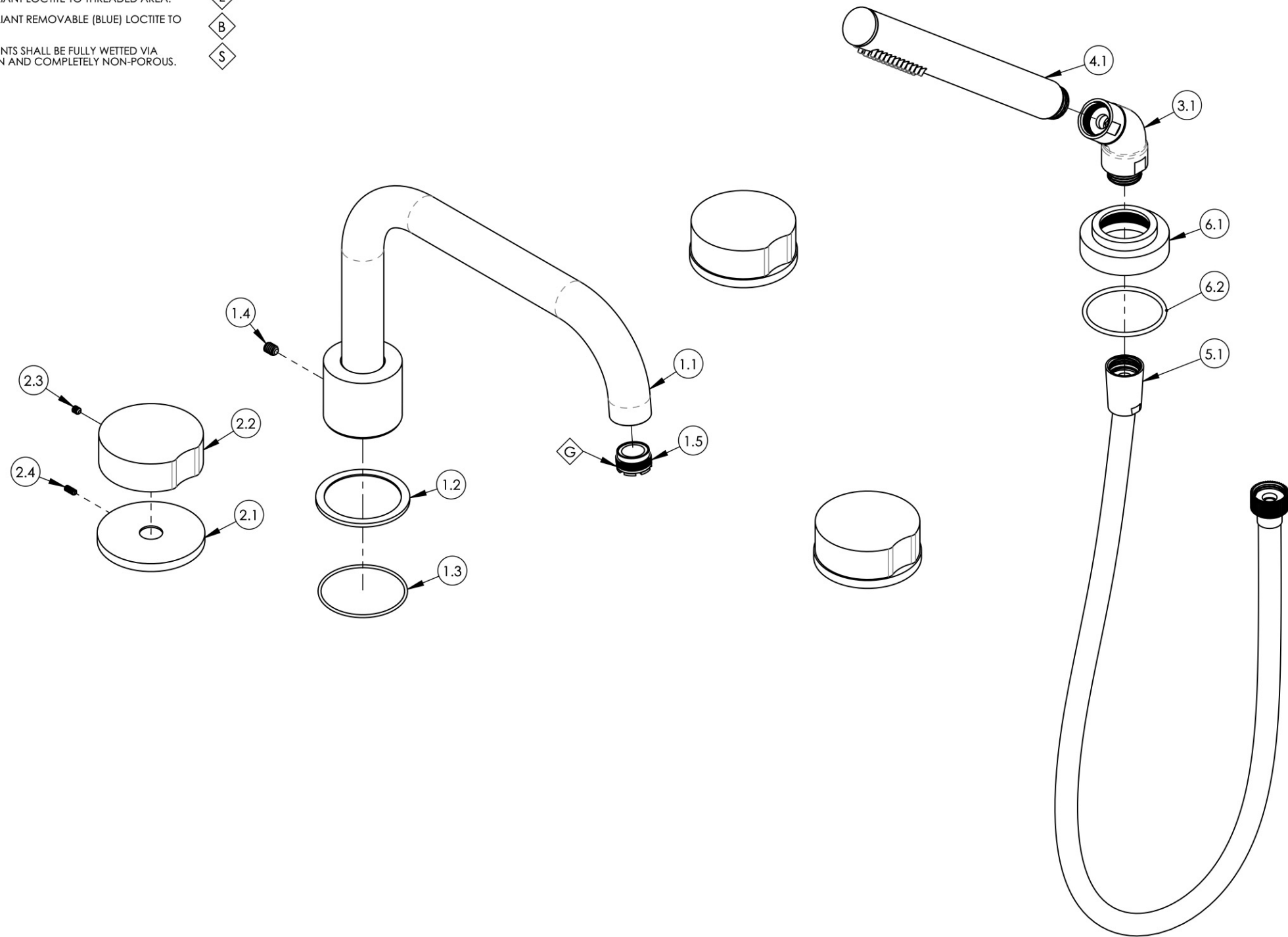


- NOTE(S):
 1. PART NUMBER, "/00" DENOTES PART SHALL HAVE FINISH.
 2. APPLY NSF COMPLIANT GREASE TO ANY O-RING, SEALING JOINTS, AND/OR PIVOTAL POINTS. **G**
 3. APPLY NSF COMPLIANT LOCTITE TO THREADED AREA. **L**
 4. APPLY NSF COMPLIANT REMOVABLE (BLUE) LOCTITE TO THREADED AREA. **B**
 5. SILVER SOLDER JOINTS SHALL BE FULLY WETTED VIA CAPILLARY ACTION AND COMPLETELY NON-POROUS. **S**

ITEM NO.	PART NUMBER	DESCRIPTION	QTY.
1	3-822/00	DECK TUB, LOW SPOUT, CIRC	1
1.1	2-426	FLAT TUB SPOUT, DECK TUB, BRAZE, CIRC	1
1.2	11186/00	BASE FLANGE, BASIC II	1
1.3	90033	O-RING, 2"ID X 2-1/8"OD X 1/16"THK, AS-568-033	1
1.4	92127	SET SCREW, CUP PT, 1/4"-20 X 5/16" L, SS	1
1.5	P05024	AERATOR CACHE COIN SLOT, M21.5X1.0 FULL FLOW	1
2	3-819/00	ASSY, ROUND BRASS HANDLE, DECK TUB, CIRC	3
2.1	12347/00	ESCUTCHEON BASE, DECK TUB, CIRC	1
2.2	12175/00	ROUND HANDLE, BRASS	1
2.3	92008	SET SCREW, CUP POINT 8-32, 3/16" L.	1
2.4	92303	SET SCREW, CUP POINT 6-32 X 5/16" L	1
3	3-050/00	ELBOW ASSEMBLY	1
4	3-471/00	ASSY, ROUND HANDSHOWER, CONTEMPORARY	1
5	3-049/00	ASSY, HOSE KIT, HANDSHOWER	1
6	3-211/00	ESCUTCHEON BASE, HANDSHOWER, BASIC	1
6.1	P18030/00	ESCUTCHEON BASE, DECK TUB, HANDSHOWER, BASIC	1
6.2	90133	1 13/16"O-RING, 1-13/16ID X 3/32THK, AS-568-133	1



1261 LOGAN AVENUE
 COSTA MESA, CALIFORNIA 92626
 PHONE: 714.361.4800
 FAX: 714.617.3120

PHYLIRICH[®]
 Defining Luxury Since 1959

PROPRIETARY AND CONFIDENTIAL
 THE INFORMATION CONTAINED IN THIS DRAWING IS THE SOLE PROPERTY OF PHYLIRICH. ANY REPRODUCTION IN PART OR AS A WHOLE WITHOUT THE WRITTEN PERMISSION OF PHYLIRICH IS PROHIBITED.
DO NOT SCALE DRAWING

DECK TUB SET W/ HAND SHOWER, LOW SPOUT, ROUND BRASS HANDLES, CIRC

SIZE B	ASM/PRT NO. 250L-48/00	REV -
SCALE: 1:3	WEIGHT: lbs.	SHEET 1 OF 2