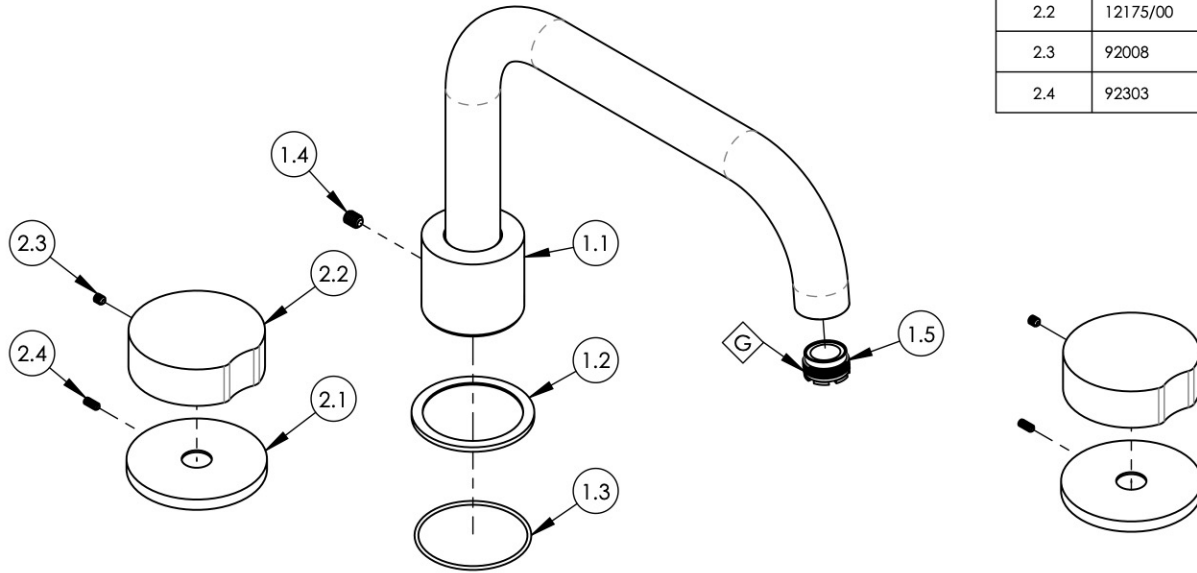


- NOTE(S):
 1. PART NUMBER, "/00" DENOTES PART SHALL HAVE FINISH.
 2. APPLY NSF COMPLIANT GREASE TO ANY O-RING, SEALING JOINTS, AND/OR PIVOTAL POINTS.
 3. APPLY NSF COMPLIANT LOCTITE TO THREADED AREA.
 4. APPLY NSF COMPLIANT REMOVABLE (BLUE) LOCTITE TO THREADED AREA.
 5. SILVER SOLDER JOINTS SHALL BE FULLY WETTED VIA CAPILLARY ACTION AND COMPLETELY NON-POROUS.



ITEM NO.	PART NUMBER	DESCRIPTION	QTY.
1	3-822/00	DECK TUB, LOW SPOUT, CIRC	1
1.1	2-426	FLAT TUB SPOUT, DECK TUB, BRAZE, CIRC	1
1.2	11186/00	BASE FLANGE, BASIC II	1
1.3	90033	O-RING, 2"ID X 2-1/8"OD X 1/16"THK, AS-568-033	1
1.4	92127	SET SCREW, CUP PT, 1/4"-20 X 5/16" L, SS	1
1.5	P05024	AERATOR CACHE COIN SLOT, M21.5X1.0 FULL FLOW	1
2	3-819/00	ASSY, ROUND BRASS HANDLE, DECK TUB, CIRC	2
2.1	12347/00	ESCUTCHEON BASE, DECK TUB, CIRC	1
2.2	12175/00	ROUND HANDLE, BRASS	1
2.3	92008	SET SCREW, CUP POINT 8-32, 3/16" L.	1
2.4	92303	SET SCREW, CUP POINT 6-32 X 5/16" L	1



ZONE	REV.	DESCRIPTION	DATE	APPROVED
------	------	-------------	------	----------

REVISIONS

1261 LOGAN AVENUE
 COSTA MESA, CALIFORNIA 92626
 PHONE: 714.361.4800
 FAX: 714.617.3120

PHYLIRICH[®]
 Defining Luxury Since 1959

PROPRIETARY AND CONFIDENTIAL
 THE INFORMATION CONTAINED IN THIS DRAWING IS THE SOLE PROPERTY OF PHYLIRICH. ANY REPRODUCTION IN PART OR AS A WHOLE WITHOUT THE WRITTEN PERMISSION OF PHYLIRICH IS PROHIBITED.
DO NOT SCALE DRAWING

DECK TUB SET, LOW SPOUT, MARBLE HANDLES, CIRC

SIZE A	ASM/PRT NO. 250-41/00	REV -
------------------	--------------------------	----------

SCALE: 1:3.5 WEIGHT: lbs. SHEET 1 OF 2