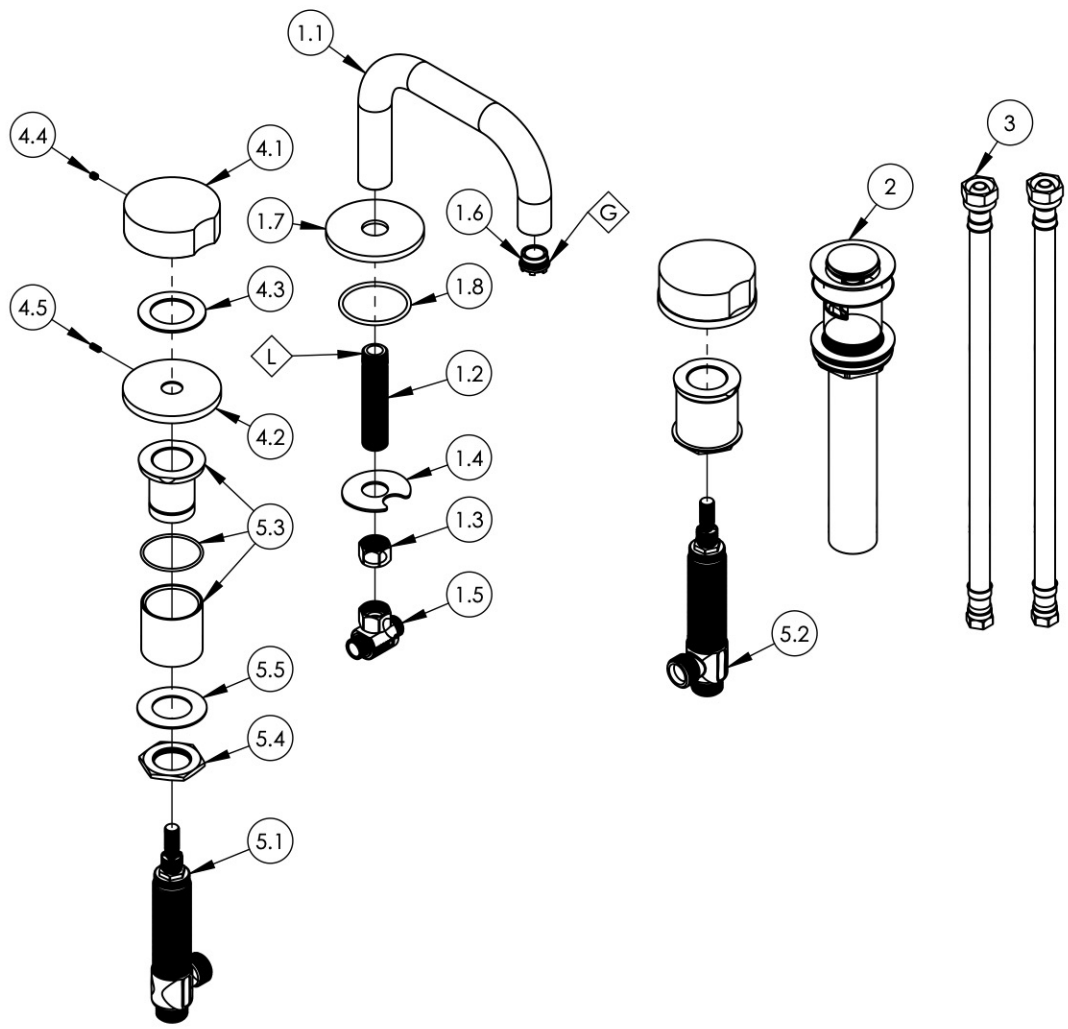


NOTE(S):  
 1. EXAMPLE OF SPLIT FINISH CODE:  
 A. 230-03X030

2. MARBLE HANDLE OPTIONS:  
 A. BLACK MARBLE= 3-820 (.../00X030)  
 B. WHITE MARBLE= 3-826 (.../00X031)

3. APPLY NSF COMPLIANT GREASE TO ANY O-RING, SEALING JOINTS, AND/OR PIVOTAL POINTS. **G**

4. APPLY NSF COMPLIANT LOCTITE TO THREADED AREA. **L**



SEE NOTES\*

ITEM NO.	PART NUMBER	DESCRIPTION	QTY.
1	3-784/00	LOW SQUARE SPOUT, LAV	1
1.1	11704/00	SPOUT, SQUARE, WIDESPREAD	1
1.2	10745	THREAD ALL, 3/8"-18 NPSL - 3/8"NPT	1
1.3	10746	NUT, 3/8"-18 NPSL	1
1.4	92174	WASHER MOUNT WIDESPREAD (3/8")	1
1.5	1-112	TEE VALVE, 3/8" NPSM X 3/8" COMPRESSION	1
1.6	11428	AERATOR, CACHE TJ, 1.2GPM PCA PINK, 43.2260.450	1
1.7	30555/00	ESCUTCHEON, LAV SPOUT, FRONT STREET	1
1.8	90131	O-RING, 1-11/16ID X 3/32THK, AS-568-131	1
2	3-545/00	BRASS PUSH TYPE DRAIN, W/ OVERFLOW & SMALL PLUG	1
3	10982	HOSE, 3/8" COMP. X 1/2" NPSM - 12'L	2
4	3-820/00	ASSY, ROUND BLACK MARBLE HANDLE, CIRC	2
4.1	2-408	BLACK MARBLE HANDLE, BROACH INSERT, ASSY	1
4.2	12347/00	ESCUTCHEON BASE, DECK TUB, CIRC	1
4.3	92345	WASHER	1
4.4	92008	SET SCREW, CUP POINT 8-32, 3/16" L.	1
4.5	92303	SET SCREW, CUP POINT 6-32 X 5/16" L	1
5	1-700	WIDESPREAD VALVE 16PT, HOT & COLD, W/ FLUSH MOUNTING KITS	1
5.1	1-149	WIDESPREAD VALVE LAV 16PT, HOT, ONLY	1
5.2	1-150	WIDESPREAD VALVE LAV 16PT, COLD, ONLY	1
5.3	2-410	RECESSED FLUSHED MOUNTING KIT FOR WIDESPREAD W/O WASHER/NUT	2
5.4	92251	HEX NUT, 1"-20 THREAD	2
5.5	92252	WASHER, 1-1/32" ID 1-13/16" OD	2

1261 LOGAN AVENUE  
 COSTA MESA, CALIFORNIA 92626  
 PHONE: 714.361.4800  
 FAX: 714.617.3120

**PHYLIRICH**<sup>®</sup>  
 Defining Luxury Since 1959

**PROPRIETARY AND CONFIDENTIAL**  
 THE INFORMATION CONTAINED IN THIS DRAWING IS THE SOLE PROPERTY OF PHYLIRICH. ANY REPRODUCTION IN PART OR AS A WHOLE WITHOUT THE WRITTEN PERMISSION OF PHYLIRICH IS PROHIBITED.  
**DO NOT SCALE DRAWING**

**WIDESPREAD FAUCET, LOW SPOUT, ROUND MARBLE HANDLE, CIRC**

SIZE **A** ASM/PRT NO. **250-03L/00** REV -  
 SCALE: 1:5 WEIGHT: lbs. SHEET 1 OF 2