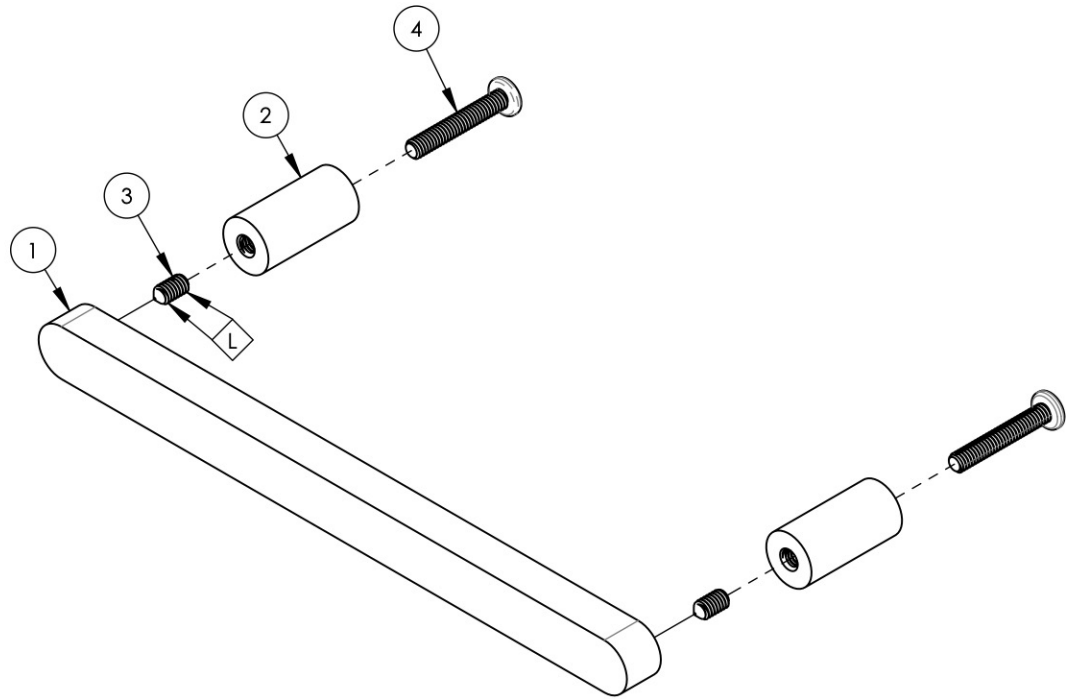


- NOTE(S):
 1. PART NUMBER, "/00" DENOTES PART SHALL HAVE FINISH.
 2. APPLY NSF COMPLIANT GREASE TO ANY O-RING, SEALING JOINTS, AND/OR PIVOTAL POINTS.
 3. APPLY NSF COMPLIANT LOCTITE TO THREADED AREA.
 4. APPLY NSF COMPLIANT REMOVABLE (BLUE) LOCTITE TO THREADED AREA.
 5. SILVER SOLDER JOINTS SHALL BE FULLY WETTED VIA CAPILLARY ACTION AND COMPLETELY NON-POROUS.

- G
- L
- B
- S

ITEM NO.	PART NUMBER	DESCRIPTION	QTY.
1	50173/00	CABINET PULL, 6", CIRC	1
2	50171/00	CABINET PULL POST, CIRC	2
3	92351	SET SCREW, CONE POINT, 8-32"-UNC, 5/16"-L	2
4	92095	SCREW, PHILIPS HD 8-32 X 1"L	2



ZONE	REV.	DESCRIPTION	DATE	APPROVED
------	------	-------------	------	----------

REVISIONS

1261 LOGAN AVENUE
 COSTA MESA, CALIFORNIA 92626
 PHONE: 714.361.4800
 FAX: 714.617.3120

PHYLIRICH[®]
 Defining Luxury Since 1959

PROPRIETARY AND CONFIDENTIAL
 THE INFORMATION CONTAINED IN THIS DRAWING IS THE SOLE PROPERTY OF PHYLIRICH. ANY REPRODUCTION IN PART OR AS A WHOLE WITHOUT THE WRITTEN PERMISSION OF PHYLIRICH IS PROHIBITED.
DO NOT SCALE DRAWING

CABINET PULL, 6" C-C, CIRC

SIZE A	ASM/PRT NO. 255-91-06/00	REV -
------------------	-----------------------------	----------

SCALE: 1:1.5 WEIGHT: lbs. SHEET 1 OF 2