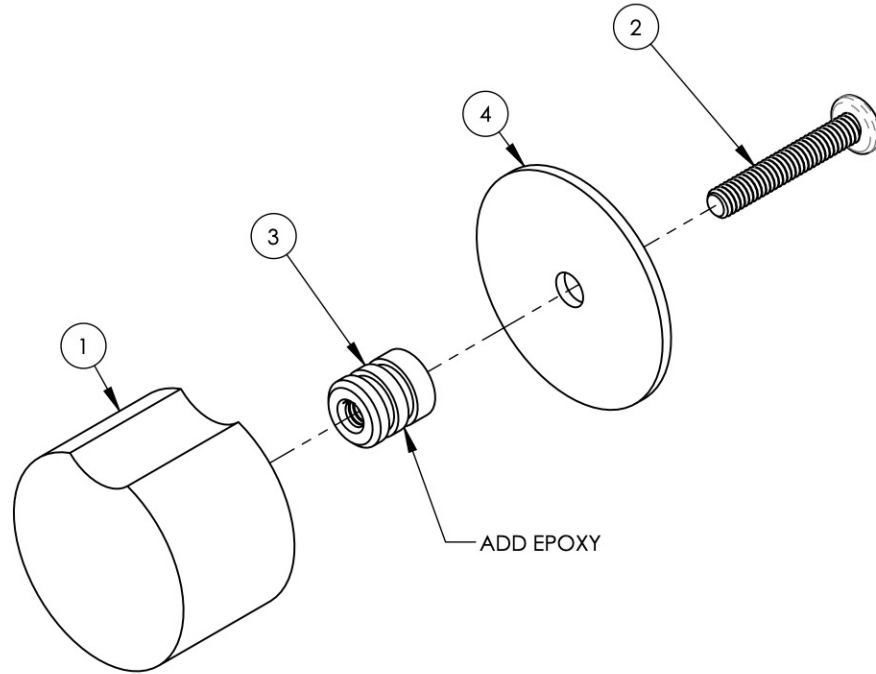


- NOTE(S):
- EXAMPLE OF SPLIT FINISH CODE:  
A. 250-03X030
  - MARBLE HANDLE OPTIONS:  
A. BLACK MARBLE= 50176 (.../00X030)  
B. WHITE MARBLE= 50177 (.../00X031)
  - APPLY NSF COMPLIANT GREASE TO ANY O-RING, SEALING JOINTS, AND/OR PIVOTAL POINTS.
  - APPLY NSF COMPLIANT LOCTITE TO THREADED AREA.

SEE NOTES\*

ITEM NO.	PART NUMBER	DESCRIPTION	QTY.
1	50176/30	BLACK MARBLE CABINET KNOB, CIRC	1
2	92095	SCREW, PHILIPS HD 8-32 X 1"L	1
3	12072	THREADED INSERT, MARBLE, CABINET KNOB, BASIC II	1
4	11555/00	BASE, CABINET KNOB, BASIC II	1



ZONE	REV.	DESCRIPTION	DATE	APPROVED
------	------	-------------	------	----------

REVISIONS

1261 LOGAN AVENUE  
COSTA MESA, CALIFORNIA 92626  
PHONE: 714.361.4800  
FAX: 714.617.3120

**PHYLIRICH**<sup>®</sup>  
Defining Luxury Since 1959

**PROPRIETARY AND CONFIDENTIAL**  
THE INFORMATION CONTAINED IN THIS DRAWING IS THE SOLE PROPERTY OF PHYLIRICH. ANY REPRODUCTION IN PART OR AS A WHOLE WITHOUT THE WRITTEN PERMISSION OF PHYLIRICH IS PROHIBITED.

**DO NOT SCALE DRAWING**

CABINET PULL, MARBLE HANDLE, CIRC

SIZE <b>A</b>	ASM/PRT NO. 250-90/00	REV -
------------------	--------------------------	----------

SCALE: 1:1	WEIGHT: lbs.	SHEET 1 OF 1
------------	--------------	--------------