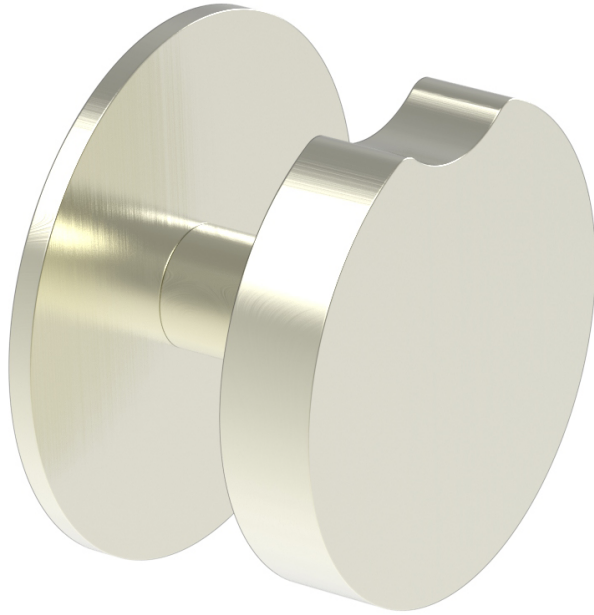


250-89



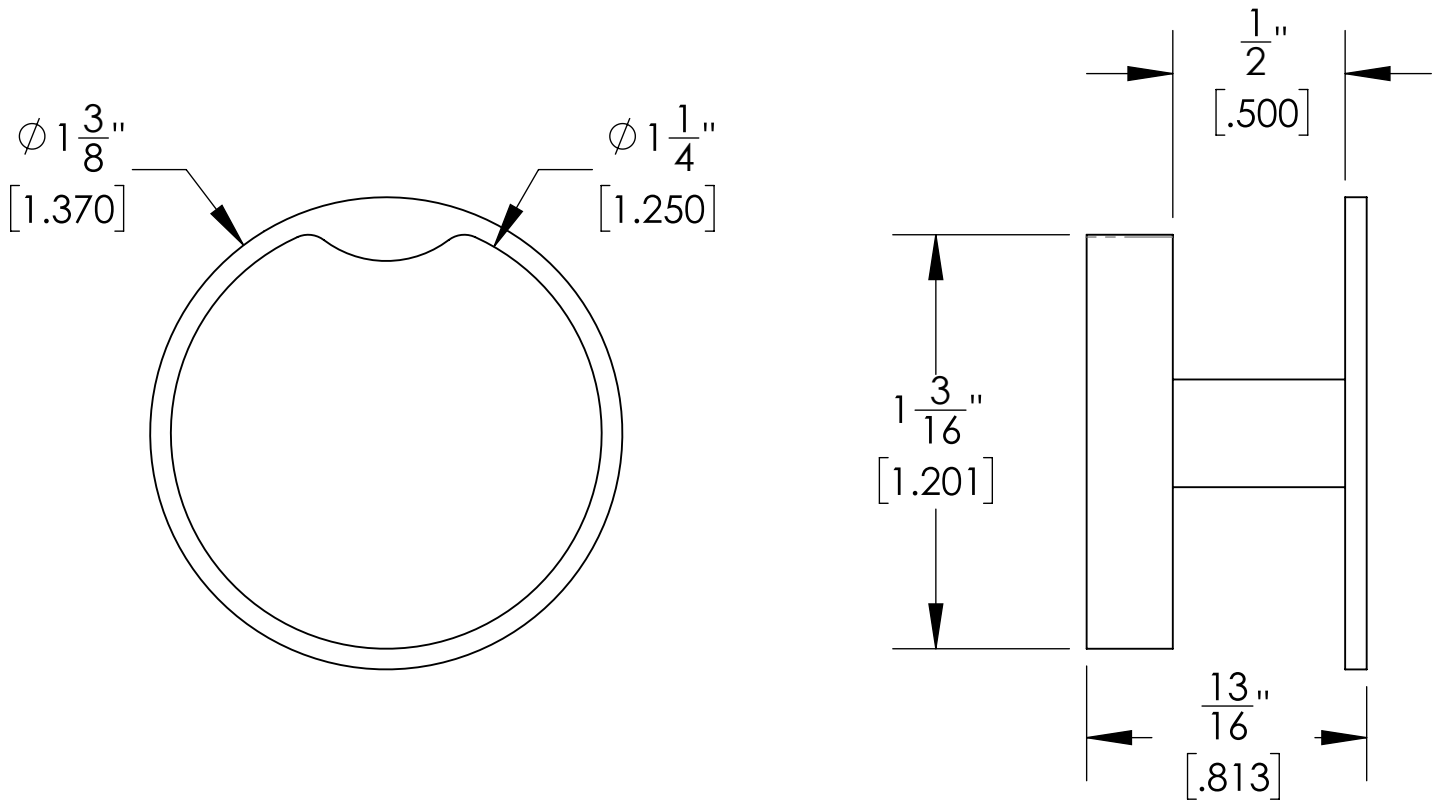
■ **PRODUCT FEATURES**

- Style: Contemporary
- Collection: Circ
-
-
-

■ **TECHNICAL DETAILS**

ADA Compliance: No
 Installation Type: Wall Mounted
 Primary Material: Brass

■ **PRODUCT DIMENSIONS**



www.phylrich.com

1261 Logan Avenue, Costa Mesa, California 92626.
 Phone: 714.361.4800 Fax: 714.617.3120

Rev-



CODES & STANDARDS

ASME A112.181/ CSA B1251, ASME 112.18.2/ CSA B125.2, ANSI NSF, CEC

WARRANTY

Mechanical Warranty: 10 Years from date of purchase.
 Finish Warranty: See catalog for further information.