

250-60

■ **PRODUCT FEATURES**

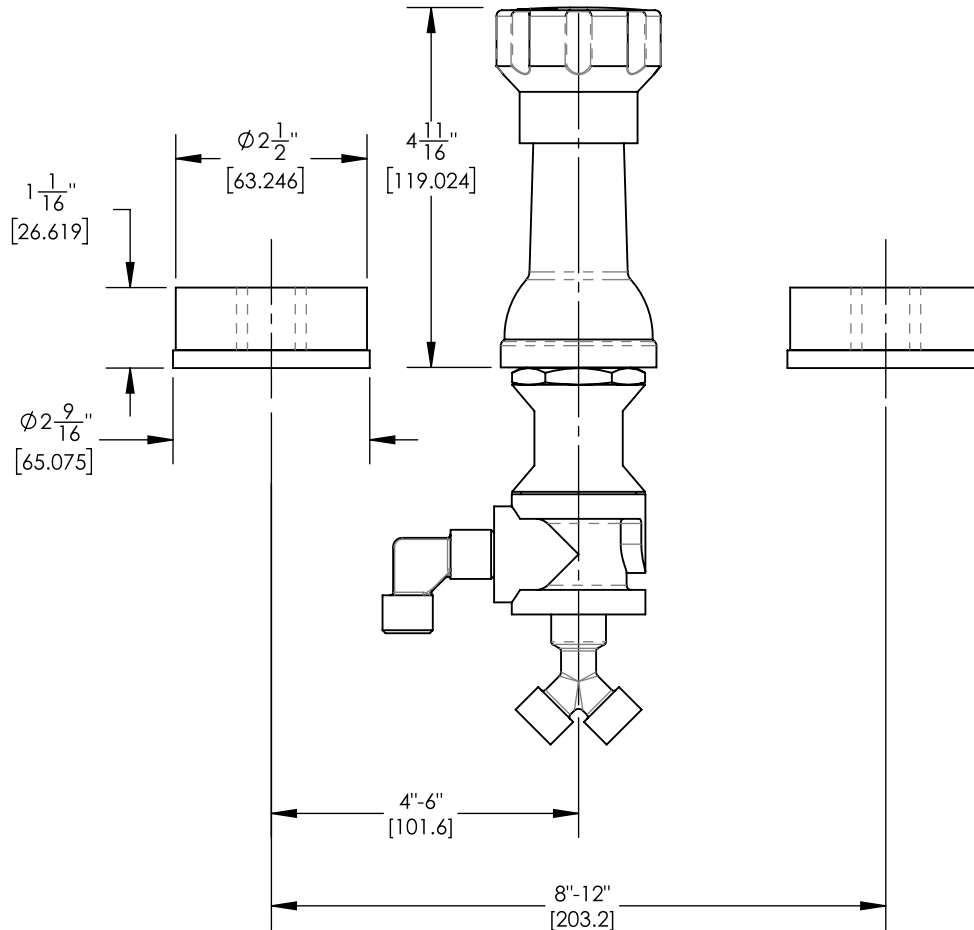
- Style: Contemporary
- Collection: Circ
- Temperature Controlled By Handles
- Round Handles
-
-

■ **TECHNICAL DETAILS**

ADA Compliance: No
 Deck Thickness Maximum: 1 3/4"
 Deck Thickness Minimum: 3/4"
 Fitting Hole Diameter: 1 1/8"
 Number of Holes: 6
 Number of Handles: 2
 Handle Spread Maximum: 12"
 Handle Spread Minimum: 8"
 Inlet Connection Type: Male 3/4" NPT
 Installation Type: Deck Mounted
 Primary Material: Brass
 Valve Material: Ceramic
 Water Pressure Maximum: 85 PSI
 Water Pressure Minimum: 20 PSI
 Water Pressure Recommended: 60 PSI



■ **PRODUCT DIMENSIONS**



www.phylrich.com

1261 Logan Avenue, Costa Mesa, California 92626.
 Phone: 714.361.4800 Fax: 714.617.3120



CODES & STANDARDS

ASME A112.181/ CSA B1251, ASME 112.18.2/ CSA B125.2, ANSI NSF, CEC

WARRANTY

Mechanical Warranty: 10 Years from date of purchase.
 Finish Warranty: See catalog for further information.

Rev-