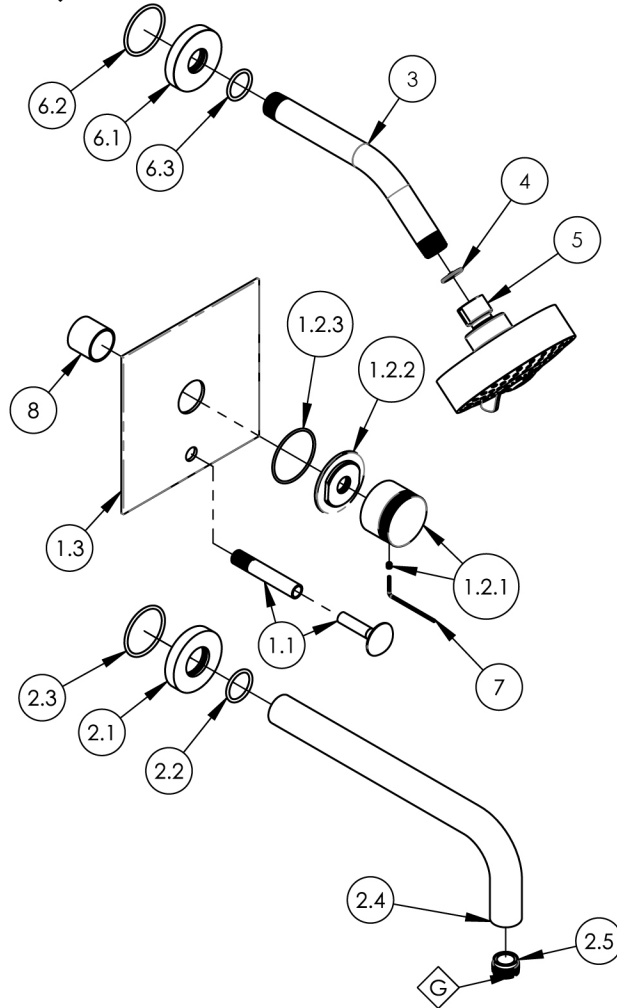


- NOTE(S):
1. PART NUMBER, "/00" DENOTES PART SHALL HAVE FINISH.
 2. APPLY NSF COMPLIANT GREASE TO ANY O-RING, SEALING JOINTS, AND/OR PIVOTAL POINTS.
 3. APPLY NSF COMPLIANT LOCTITE TO THREADED AREA.
 4. APPLY NSF COMPLIANT REMOVABLE (BLUE) LOCTITE TO THREADED AREA.
 5. SILVER SOLDER JOINTS SHALL BE FULLY WETTED VIA CAPILLARY ACTION AND COMPLETELY NON-POROUS.



ITEM NO.	PART NUMBER	DESCRIPTION	QTY.
1	4-200/00	SHOWER PLATE W/DIVERTER & HANDLE TRIM SET, SQUARE PLATE, KNURLED HANDLE, BASIC II	1
1.1	3-125/00	DIVERTER EXTENSION ASSY FOR PB TUB & SHOWER SET	1
1.2	3-329/00	SUB ASSY. KNURLED HANDLE, BASIC II	1
1.2.1	2-247/00	HANDLE KNURLED, BASIC II	1
1.2.2	11164/00	ESCUTCHEON BASE, CONTEMP. BASIC II	1
1.2.3	90031	O-RING, 1-3/4"ID X 1/16"THK, AS-568-031	1
1.3	10959/00	SHOWER TRIM PLATE W/ DIVERTER HOLE, MIX SERIES	1
2	3-419/00	WALL TUB, SPOUT ONLY, 10" L, BASIC	1
2.1	P19017/00	ESCUTCHEON, FOR SPOUT	1
2.2	90119	O-RING, 15/16"ID X 1-1/8"OD X 3/32"THK, AS-568-119	1
2.3	90129	O-RING, 1-9/16"ID X 3/32THK, AS-568-129	1
2.4	10479/00	10" WALL LAV SPOUT, BASIC SERIES	1
2.5	P05024	AERATOR CACHE COIN SLOT, M21.5X1.0 FULL FLOW	1
3	P16008/00	SHOWER ARM (8 INCH)	1
4	11432	1.75 GPM FLOW REGULATOR	1
5	3-454/00	SHOWER HEAD 3 FUNCTION CONTEMP.	1
6	3-700/00	SHOWER FLANGE, CONTEMPORARY, ROUND	1
6.1	P16019/00	BASE SHOWER FLANGE, BASIC SERIES	1
6.2	90129	O-RING, 1-9/16"ID X 3/32THK, AS-568-129	1
6.3	90118	O-RING, 7/8"ID X 1-1/16"OD X 3/32"THK, AS-568-118	1
7	92021	HEX KEY 5/64, FOR 8-32 SET SCREW	1
8	10986	CENTERING PLATE SLEEVE	1

ZONE	REV.	DESCRIPTION	DATE	APPROVED
REVISIONS				

1261 LOGAN AVENUE
COSTA MESA, CALIFORNIA 92626
PHONE: 714.361.4800
FAX: 714.617.3120

PHYLIRICH[®]
Defining Luxury Since 1959

PROPRIETARY AND CONFIDENTIAL
THE INFORMATION CONTAINED IN THIS DRAWING IS THE SOLE PROPERTY OF PHYLIRICH. ANY REPRODUCTION IN PART OR AS A WHOLE WITHOUT THE WRITTEN PERMISSION OF PHYLIRICH IS PROHIBITED.
DO NOT SCALE DRAWING

PB TUB & SHOWER SET, SQUARE TRIM, SPOUT 10" W/ KNURLED HANDLE, BASIC II

SIZE	ASM/PRT NO.	REV
A	230S-26-10/00	-
SCALE: 1:6	WEIGHT: lbs.	SHEET 1 OF 2