

5

4

3

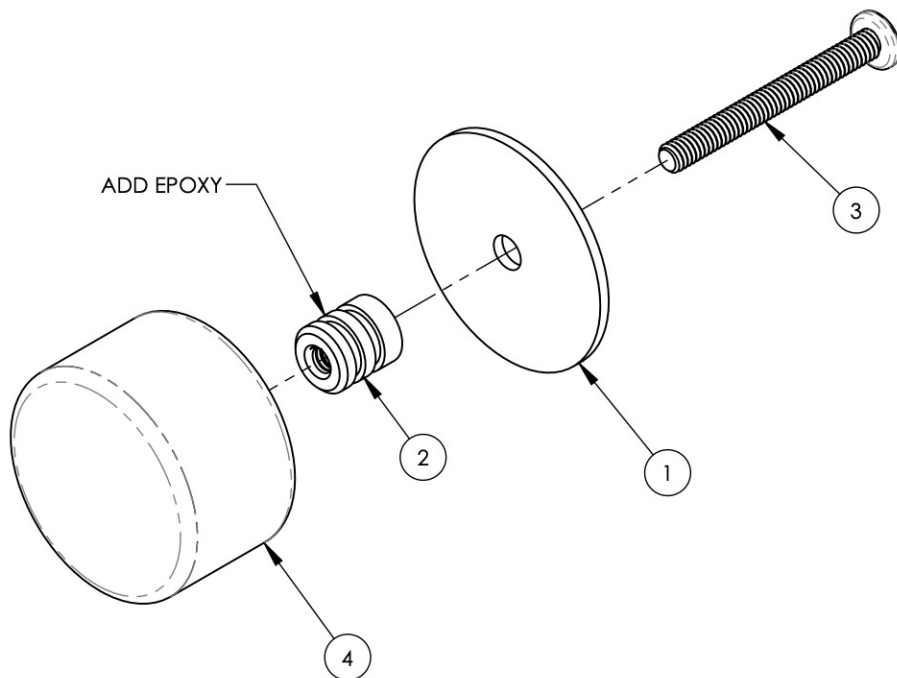
2

1

NOTE(S):
 1. EXAMPLE OF SPLIT FINISH CODE:
 A. 230-03/026X030
 2. MARBLE HANDLE STONE OPTIONS:
 A. BLACK MARBLE = P24025 (.../00X030)
 B. WHITE MARBLE = P24024 (.../00X031)

SEE NOTES*

ITEM NO.	PART NUMBER	DESCRIPTION	QTY.
1	11555/00	BASE, CABINET KNOB, BASIC II	1
2	12072	THREADED INSERT, MARBLE, CABINET KNOB, BASIC II	1
3	92094	SCREW, PAN HD 8-32 X 1.5"L	1
4	P24025	K53 BLACK MARBLE CABINET KNOB	1



ZONE	REV.	DESCRIPTION	DATE	APPROVED
REVISIONS				

1261 LOGAN AVENUE
 COSTA MESA, CALIFORNIA 92626
 PHONE: 714.361.4800
 FAX: 714.617.3120

PHYL RICH[®]
 Defining Luxury Since 1959

PROPRIETARY AND CONFIDENTIAL
 THE INFORMATION CONTAINED IN THIS DRAWING IS THE SOLE PROPERTY OF PHYL RICH. ANY REPRODUCTION IN PART OR AS A WHOLE WITHOUT THE WRITTEN PERMISSION OF PHYL RICH IS PROHIBITED.

-	-	INTERPRET GEOMETRIC DIMENSIONING & TOLERANCING IN ACCORDANCE WITH ASME Y14.5-2009 & ASME Y14.41-2003 STANDARDS. UNLESS OTHERWISE SPECIFIED, DIMENSIONS ARE IN INCHES. TOLERANCES ARE:		
-	-			
-	-			
NEXT ASSY	USED ON	FRACTIONS ±1/16"	DECIMALS X.X: ±.1 X.XX: ±.01 X.XXX: ±.005	ANGULAR ±2°
APPLICATION		MATERIAL	NAME	DATE
FINISH		DRAWN	AMM	5/5/2020
DO NOT SCALE DRAWING		CHECKED		

CABINET KNOB, MARBLE, BASIC II

SIZE **A** ASM/PRT NO. **230-92/00** REV

SCALE: 1:1 WEIGHT: lbs. SHEET 1 OF 2

5

4

3

2

1