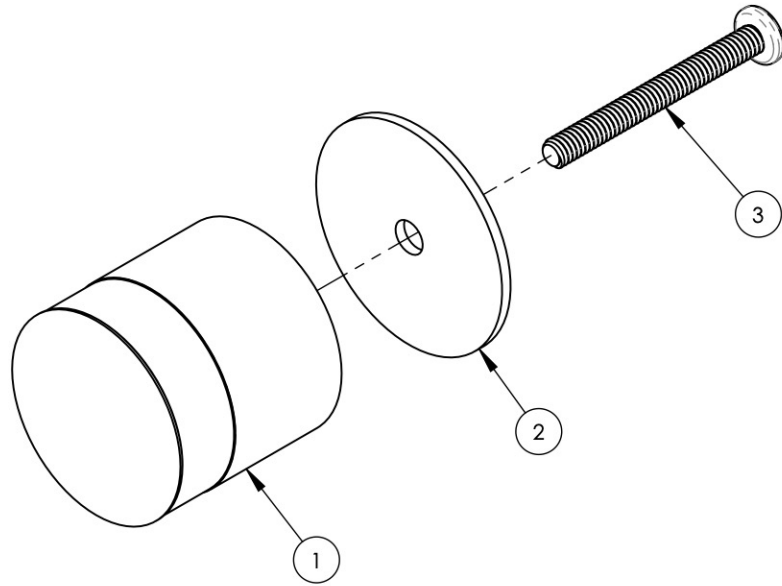


NOTE(S):
 1. PART NUMBER, "/00" DENOTES PART SHALL HAVE FINISH.

ITEM NO.	PART NUMBER	DESCRIPTION	QTY.
1	11554/00	CABINET KNOB, BASIC II SERIES	1
2	11555/00	BASE, CABINET KNOB, BASIC II	1
3	92094	SCREW, PAN HD 8-32 X 1.5"L	1



ZONE	REV.	DESCRIPTION	DATE	APPROVED
REVISIONS				

1261 LOGAN AVENUE
 COSTA MESA, CALIFORNIA 92626
 PHONE: 714.361.4800
 FAX: 714.617.3120

PHYL RICH[®]
 Defining Luxury Since 1959

PROPRIETARY AND CONFIDENTIAL
 THE INFORMATION CONTAINED IN THIS DRAWING IS THE SOLE PROPERTY OF PHYL RICH. ANY REPRODUCTION IN PART OR AS A WHOLE WITHOUT THE WRITTEN PERMISSION OF PHYL RICH IS PROHIBITED.

-	-	INTERPRET GEOMETRIC DIMENSIONING & TOLERANCING IN ACCORDANCE WITH ASME Y14.5-2009 & ASME Y14.41-2003 STANDARDS. UNLESS OTHERWISE SPECIFIED, DIMENSIONS ARE IN INCHES. TOLERANCES ARE:
-	-	
-	-	
NEXT ASSY	USED ON	FRACTIONS ±1/16"
APPLICATION		DECIMALS X.X: ±.1 X.XX: ±.01 X.XXX: ±.005
MATERIAL		ANGULAR ±2°
FINISH	DRAWN	NAME DATE
	AMM	5/5/2020
DO NOT SCALE DRAWING		CHECKED

CABINET KNOB, KNURLED, BASIC II

SIZE	ASM/PRT NO.	REV
A	230-90/00	

SCALE: 1:1 WEIGHT: lbs. SHEET 1 OF 2