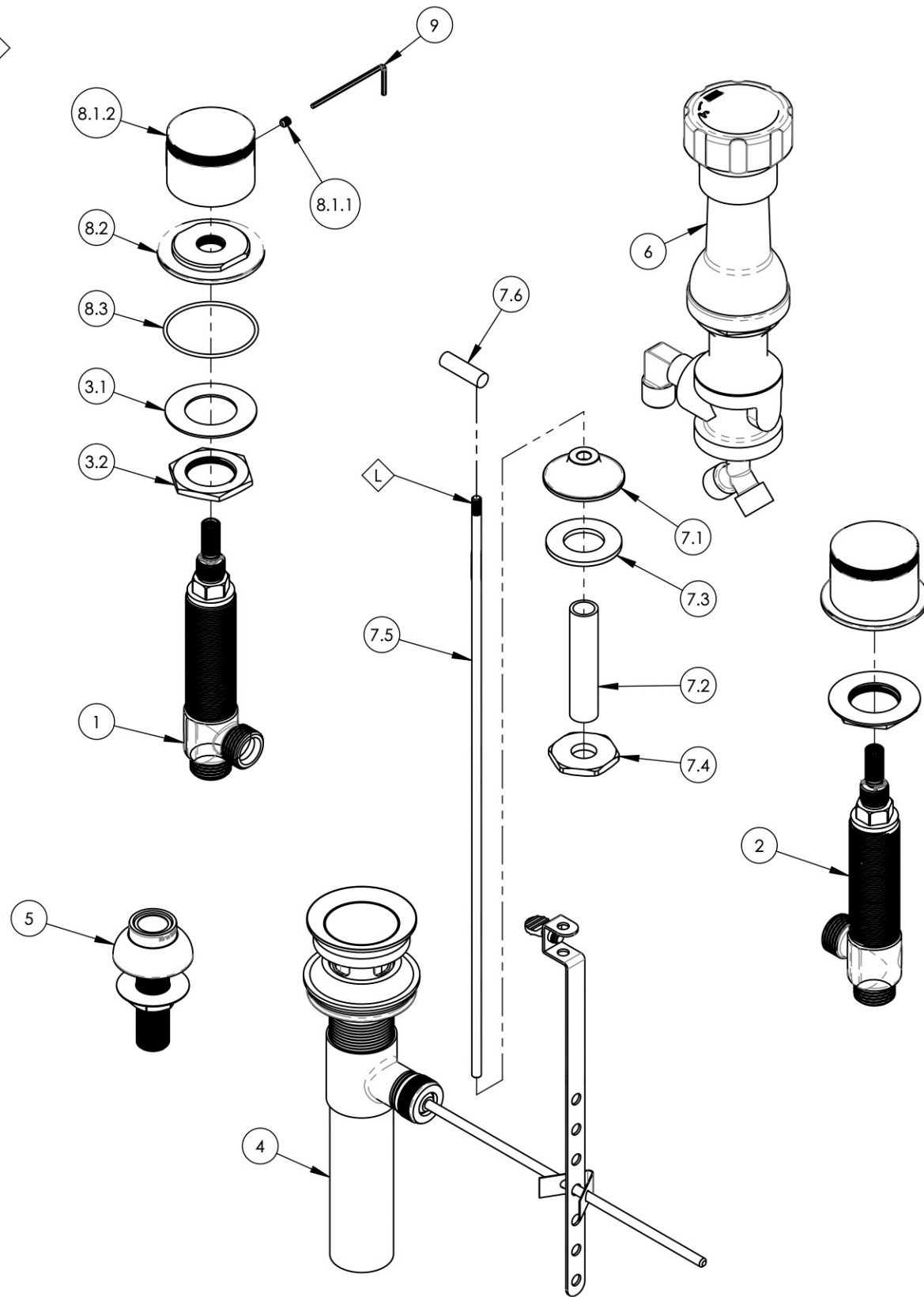


NOTE(S):
 1. PART NUMBER, "/00" DENOTES PART SHALL HAVE FINISH.
 2. APPLY NSF COMPLIANT LOCTITE TO THREADED AREA.



ITEM NO.	PART NUMBER	DESCRIPTION	QTY.
1	1-149	WIDESPREAD VALVE LAV 16PT, HOT, ONLY	1
2	1-150	WIDESPREAD VALVE LAV 16PT, COLD, ONLY	1
3	2-203	MOUNTING NUT KIT, WIDESPREAD LAV	2
3.1	92252	WASHER, 1-1/32" ID 1-13/16" OD	1
3.2	92251	HEX NUT, 1"-20 THREAD	1
4	3-046/00	POP-UP DRAIN ASSEMBLY (2-101, 2-102, & 2-246)	1
5	3-085/00	ASSY, BIDET SPRAYER	1
6	3-160/00	BIDET DIVERTER, COMPLETE	1
7	3-192/00	POP-UP ROD BIDET, BASIC	1
7.1	P09007/00	K4160 POP UP GUIDE	1
7.2	P32010	9/16-20 x 56 NIPPLE FOR COMPRESSION STEM	1
7.3	P35026	3/4" SAE FLAT WASHER	1
7.4	P09006	SPECIAL HEX F/BIDET SPRAYER	1
7.5	10719/00	POP-UP ROD, 10-24, 14" LONG	1
7.6	P04019/00	POP-UP, BASIC, W/ 10-24 THREAD	1
8	3-329/00	SUB ASSY, KNURLED HANDLE, BASIC II	2
8.1	2-247/00	HANDLE KNURLED, BASIC II	1
8.1.1	92008	SET SCREW, CUP POINT 8-32, 3/16" L.	1
8.1.2	11165/00	BASE HANDLE, CONTEMP. BASIC II	1
8.2	11164/00	ESCUTCHEON BASE, CONTEMP. BASIC II	1
8.3	90031	O-RING, 1-3/4"ID X 1/16"THK, AS-568-031	1
9	P39001	HEX KEY 5/64, FOR 8-32 SET SCREW	1

ZONE	REV.	DESCRIPTION	DATE	APPROVED	
REVISIONS					
1261 LOGAN AVENUE COSTA MESA, CALIFORNIA 92626 PHONE: 714.361.4800 FAX: 714.617.3120		PHYLIRICH Defining Luxury Since 1959	PROPRIETARY AND CONFIDENTIAL THE INFORMATION CONTAINED IN THIS DRAWING IS THE SOLE PROPERTY OF PHYLIRICH. ANY REPRODUCTION IN PART OR AS A WHOLE WITHOUT THE WRITTEN PERMISSION OF PHYLIRICH IS PROHIBITED.		

INTERPRET GEOMETRIC DIMENSIONING & TOLERANCING IN ACCORDANCE WITH ASME Y14.5-2009 & ASME Y14.41-2003 STANDARDS. UNLESS OTHERWISE SPECIFIED, DIMENSIONS ARE IN INCHES. TOLERANCES ARE:		
FRACTIONS ±1/16"	DECIMALS X.X: ±.1 X.XX: ±.01 X.XXX: ±.005	ANGULAR ±2°
NEXT ASSY	USED ON	
APPLICATION		
MATERIAL	NAME	DATE
FINISH	DRAWN	AMM 5/4/2020
DO NOT SCALE DRAWING	CHECKED	

FOUR HOLE BIDET SET, KNURLED HANDLES, BASIC II		
SIZE	ASM/PRT NO.	REV
B	230-60/00	
SCALE: 1:3	WEIGHT: lbs.	SHEET 1 OF 2