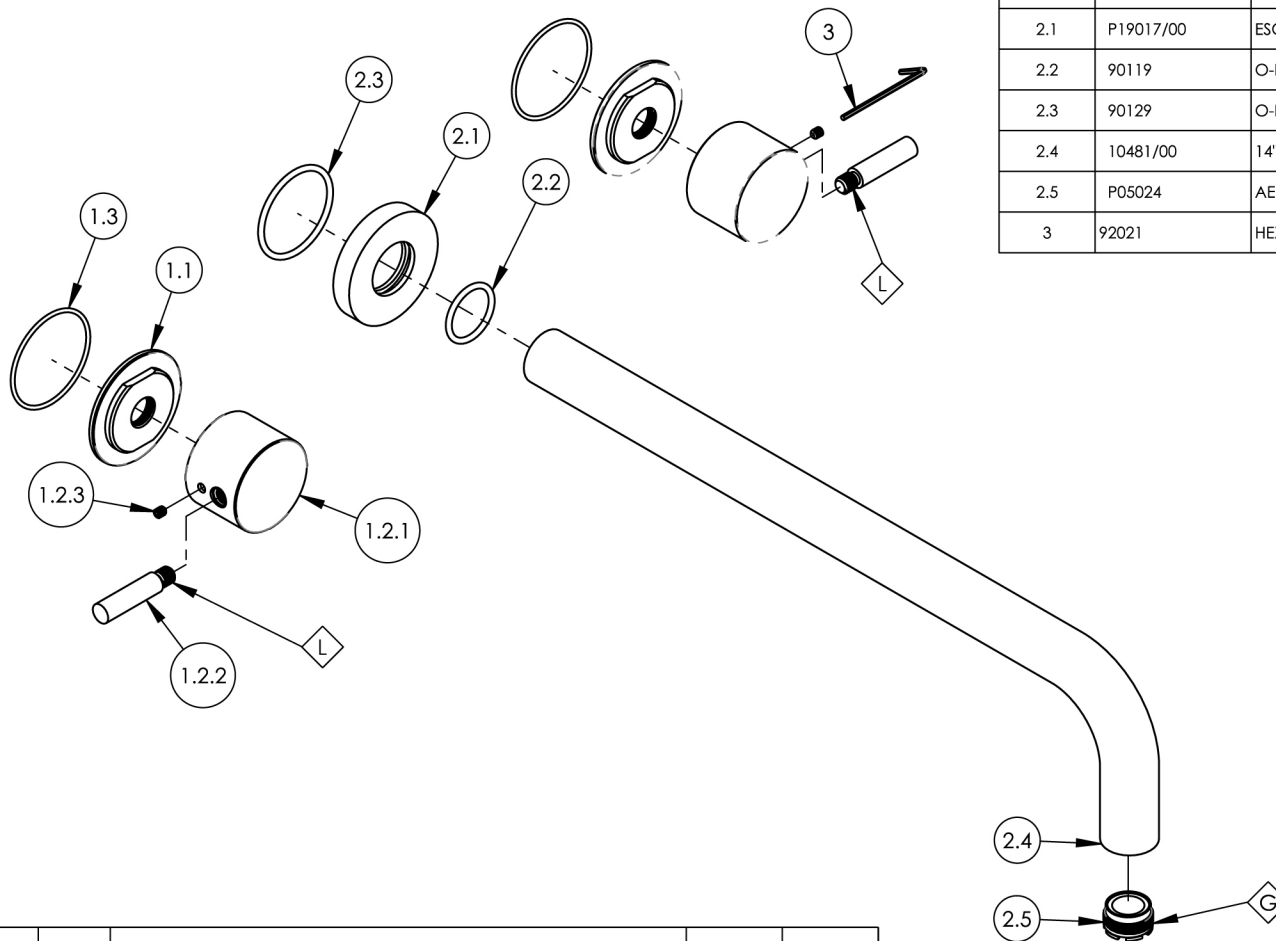


- NOTE(S):
- PART NUMBER, "/00" DENOTES PART SHALL HAVE FINISH.
 - APPLY NSF COMPLIANT GREASE TO ANY O-RING, SEALING JOINTS, AND/OR PIVOTAL POINTS.
 - APPLY NSF COMPLIANT LOCTITE TO THREADED AREA.
 - APPLY NSF COMPLIANT REMOVABLE (BLUE) LOCTITE TO THREADED AREA.
 - SILVER SOLDER JOINTS SHALL BE FULLY WETTED VIA CAPILLARY ACTION AND COMPLETELY NON-POROUS.



ITEM NO.	PART NUMBER	DESCRIPTION	QTY.
1	3-339/00	SUB ASSY. LEVER HANDLE, BASIC II	2
1.1	11164/00	ESCUTCHEON BASE, CONTEMP. BASIC II	1
1.2	2-249/00	HANDLE LEVER, BASIC II	1
1.2.1	11167/00	BASE HANDLE, CONTEMP. BASIC II	1
1.2.2	11168/00	HANDLE LEVER, CONTEMP. BASIC II	1
1.2.3	92008	SET SCREW, CUP POINT 8-32, 3/16" L.	1
1.3	90031	O-RING, 1-3/4"ID X 1/16"THK, AS-568-031	1
2	3-421/00	WALL TUB, SPOUT ONLY, 14" L, BASIC	1
2.1	P19017/00	ESCUTCHEON, FOR SPOUT	1
2.2	90119	O-RING, 15/16"ID X 1-1/8"OD X 3/32"THK, AS-568-119	1
2.3	90129	O-RING, 1-9/16"ID X 3/32THK, AS-568-129	1
2.4	10481/00	14" WALL LAV SPOUT, BASIC SERIES	1
2.5	P05024	AERATOR CACHE COIN SLOT, M21.5X1.0 FULL FLOW	1
3	92021	HEX KEY 5/64, FOR 8-32 SET SCREW	1



ZONE	REV.	DESCRIPTION	DATE	APPROVED
REVISIONS				

1261 LOGAN AVENUE COSTA MESA, CALIFORNIA 92626 PHONE: 714.361.4800 FAX: 714.617.3120	<h1>PHYLIRICH®</h1> <p>Defining Luxury Since 1959</p>	PROPRIETARY AND CONFIDENTIAL THE INFORMATION CONTAINED IN THIS DRAWING IS THE SOLE PROPERTY OF PHYLIRICH. ANY REPRODUCTION IN PART OR AS A WHOLE WITHOUT THE WRITTEN PERMISSION OF PHYLIRICH IS PROHIBITED. DO NOT SCALE DRAWING
---------------------------------------------------------------------------------------------------	-------------------------------------------------------	----------------------------------------------------------------------------------------------------------------------------------------------------------------------------------------------------------------------------------------

WALL TUB SET, SPOUT 14" W/ LEVER, BASIC II

SIZE	ASM/PRT NO.	REV
A	230-59-14/00	-
SCALE: 1:3.25	WEIGHT: lbs.	SHEET 1 OF 2