

NOTE(S):
 1. PART NUMBER, "/00" DENOTES PART SHALL HAVE FINISH.

2. APPLY NSF COMPLIANT GREASE TO ANY O-RING, SEALING JOINTS, AND/OR PIVOTAL POINTS.

3. APPLY NSF COMPLIANT LOCTITE TO THREADED AREA:

4. APPLY NSF COMPLIANT REMOVABLE (BLUE) LOCTITE TO THREADED AREA:

5. SILVER SOLDER JOINTS SHALL BE FULLY WETTED VIA CAPILLARY ACTION AND COMPLETELY NON-POROUS:

6. MARBLE HANDLE STONE OPTIONS:

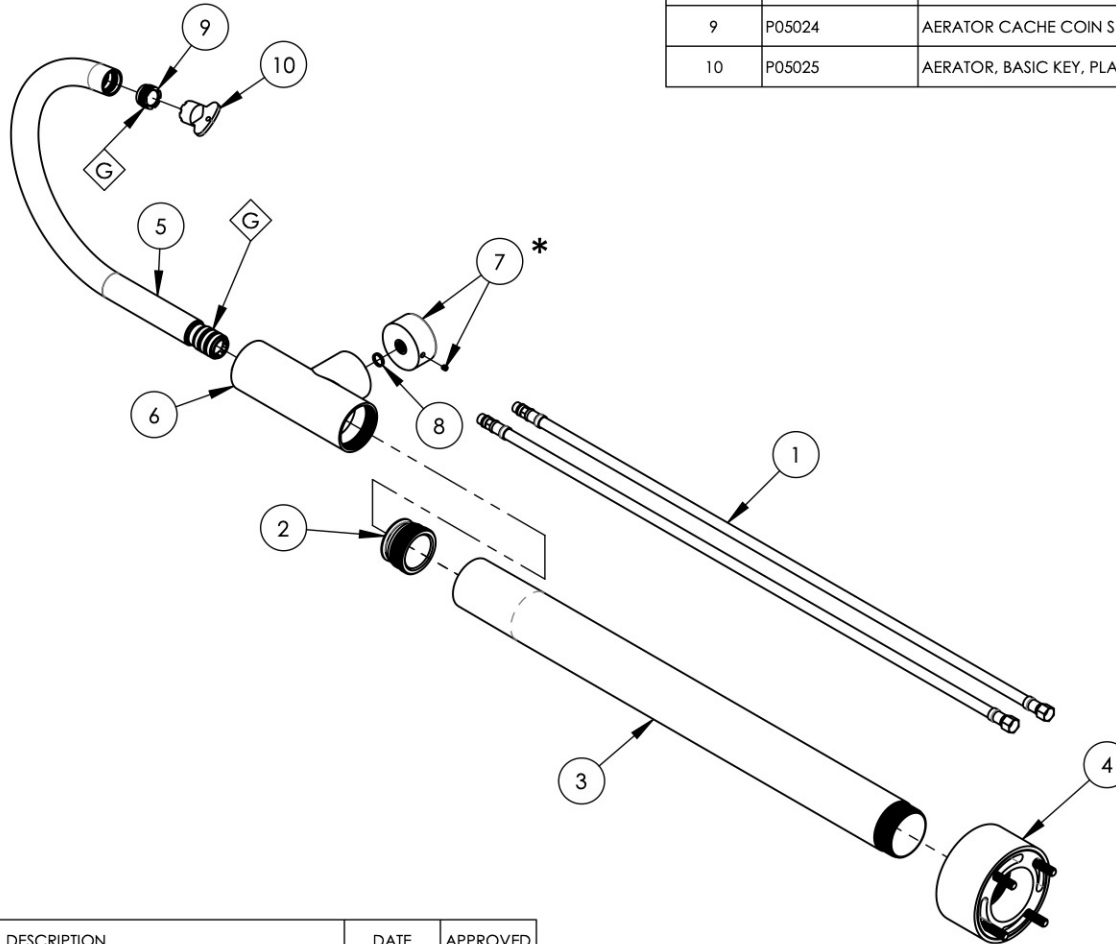
- A. BLACK MARBLE = 230-47-02/00X030
- B. WHITE MARBLE = 230-47-02/00X031
- C. SOAPSTONE = 230-47-02/00X032

G

L

B

S



ITEM NO.	PART NUMBER	DESCRIPTION	QTY.
1	11366	HOSE, SUPPLY, FREE STANDING TUB FILLER	2
2	11367	CONNECTOR, BODY TO RISER	1
3	11368/00	RISER, SUPPLY TUBE	1
4	3-504/00	ASSY, RISER & BASE, FLOOR MOUNT TUB FILLER	1
5	3-505/00	ASSY, ARC SPOUT, FLOOR MOUNT TUB FILLER	1
6	3-761/00	MAIN BODY FLOOR MOUNT TUB FILLER, LESS HOOK	1
*	3-762/00	HANDLE, ROUND MARBLE, TUB FILLER, BASIC II	1
8	92176	WEAR WASHER	1
9	P05024	AERATOR CACHE COIN SLOT, M21.5X1.0 FULL FLOW	1
10	P05025	AERATOR, BASIC KEY, PLASTIC RED	1

ZONE	REV.	DESCRIPTION	DATE	APPROVED
------	------	-------------	------	----------

REVISIONS

1261 LOGAN AVENUE
 COSTA MESA, CALIFORNIA 92626
 PHONE: 714.361.4800
 FAX: 714.617.3120

PHYLIRICH[®]
 Defining Luxury Since 1959

PROPRIETARY AND CONFIDENTIAL
 THE INFORMATION CONTAINED IN THIS DRAWING IS THE SOLE PROPERTY OF PHYLIRICH. ANY REPRODUCTION IN PART OR AS A WHOLE WITHOUT THE WRITTEN PERMISSION OF PHYLIRICH IS PROHIBITED.
DO NOT SCALE DRAWING

FLOOR MOUNT TUB FILLER, SINGLE HOLE TALL, HIGH SPOUT W/ MARBLE, BASIC II

SIZE A	ASM/PRT NO. 230-47-02/00	REV -
SCALE: 1:7	WEIGHT: lbs.	SHEET 1 OF 2