

5

4

3

2

1

E

E

D

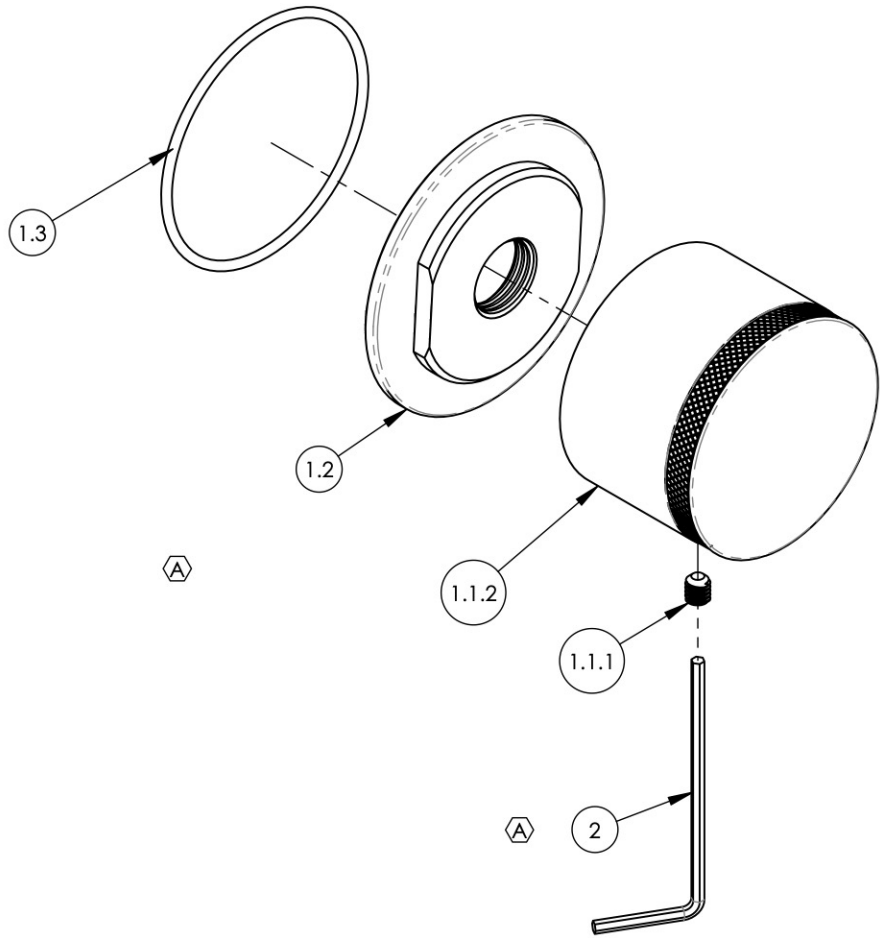
D

C

C

B

B



ITEM NO.	PART NUMBER	DESCRIPTION	QTY.
1	3-329/00	SUB ASSY. KNURLED HANDLE, BASIC II	1
1.1	2-247/00	HANDLE KNURLED, BASIC II	1
1.1.1	92008	SET SCREW, CUP POINT 8-32, 3/16" L.	1
1.1.2	11165/00	BASE HANDLE, CONTEMP. BASIC II	1
1.2	11164/00	ESCUTCHEON BASE, CONTEMP. BASIC II	1
1.3	90031	O-RING, 1-3/4"ID X 1/16"THK, AS-568-031	1
2	P39001	HEX KEY 5/64, FOR 8-32 SET SCREW	1

ALL	REV.	DESCRIPTION	DATE	APPROVED
A		UPDATE TEMPLATE/ ORIENTATION, ADD SUBASSY, REPLACE HEX KEY	4/3/2020	AMM

1261 LOGAN AVENUE
 COSTA MESA, CALIFORNIA 92626
 PHONE: 714.361.4800
 FAX: 714.617.3120

PHYL RICH[®]
 Defining Luxury Since 1959

PROPRIETARY AND CONFIDENTIAL
 THE INFORMATION CONTAINED IN THIS DRAWING IS THE SOLE PROPERTY OF PHYL RICH. ANY REPRODUCTION IN PART OR AS A WHOLE WITHOUT THE WRITTEN PERMISSION OF PHYL RICH IS PROHIBITED.

INTERPRET GEOMETRIC DIMENSIONING & TOLERANCING IN ACCORDANCE WITH ASME Y14.5-2009 & ASME Y14.41-2003 STANDARDS, UNLESS OTHERWISE SPECIFIED. DIMENSIONS ARE IN INCHES. TOLERANCES ARE:			
	FRACTIONS	DECIMALS	ANGULAR
	±1/16"	X.X: ±.1 X.XX: ±.01 X.XXX: ±.005	±2°
NEXT ASSY	USED ON		
APPLICATION			
MATERIAL		NAME	DATE
FINISH	DRAWN	FME	11/12/2015
DO NOT SCALE DRAWING			
CHECKED	LLO		

VOLUME CONTROL/ DIVERTER TRIM, KNURLED HANDLE, BASIC II

SIZE	ASM/PRT NO.	REV
A	230-35/00	A

SCALE: 1:1.25 WEIGHT: lbs. SHEET 1 OF 2

5

4

3

2

1

A

A