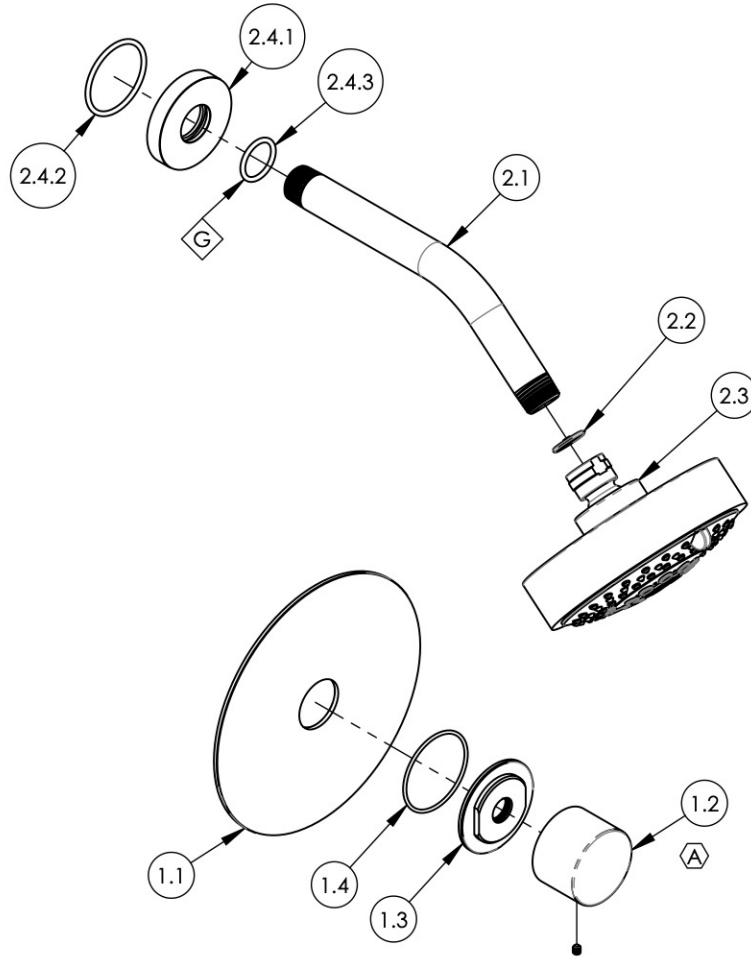


- NOTE(S):
- EXAMPLE OF SPLIT FINISH CODE:
 - 230-03/026X030
 - MARBLE HANDLE STONE OPTIONS:
 - BLACK MARBLE = 3-570 (.../00X030)
 - WHITE MARBLE = 3-571 (.../00X031)
 - SOAPSTONE = 3-572 (.../00X032)
 - APPLY NSF COMPLIANT GREASE TO ANY O-RING, SEALING JOINTS, AND/OR PIVOTAL POINTS.

SEE NOTES *



ITEM NO.	PART NUMBER	DESCRIPTION	QTY.
1	4-182/00	PB SHOWER TRIM PLATE, SINGLE HANDLE, MARBLE, BASIC II	1
1.1	10443/00	TRIM PLATE 6" ROUND, BASIC II	1
1.2	3-570	HANDLE, ROUND MARBLE, BLACK (030) ASSY	1
1.3	11164/00	ESCUTCHEON BASE, CONTEMP. BASIC II	1
1.4	90031	O-RING, 1-3/4"ID X 1/16"THK, AS-568-031	1
2	4-570/00	CONTEMPORARY MULTI. SHOWER HEAD W/ FLANGE, ROND	1
2.1	P16008/00	SHOWER ARM (8 INCH)	1
2.2	11432	1.75 GPM FLOW REGULATOR	1
2.3	3-454/00	SHOWER HEAD MULTI. FUNC. CONTEMP.	1
2.4	3-700/00	ESCUTCHEON FLANGE, SHOWER ARM, CONTEMPORARY, ROUND	1
2.4.1	P16019/00	BASE SHOWER FLANGE, BASIC SERIES	1
2.4.2	90129	O-RING, 1-9/16"ID X 3/32THK, AS-568-129	1
2.4.3	90117	O-RING, 7/8"ID X 33/32"THK., AS-568-117	1

B3	A	REMOVE HANDLE INTERNAL SUBASSY	11/3/2020	AMM
ZONE	REV.	DESCRIPTION	DATE	APPROVED
REVISIONS				

1261 LOGAN AVENUE
COSTA MESA, CALIFORNIA 92626
PHONE: 714.361.4800
FAX: 714.617.3120

PHYLIRICH[®]
Defining Luxury Since 1959

PROPRIETARY AND CONFIDENTIAL
THE INFORMATION CONTAINED IN THIS DRAWING IS THE SOLE PROPERTY OF PHYLIRICH. ANY REPRODUCTION IN PART OR AS A WHOLE WITHOUT THE WRITTEN PERMISSION OF PHYLIRICH IS PROHIBITED.

-	-	INTERPRET GEOMETRIC DIMENSIONING & TOLERANCING IN ACCORDANCE WITH ASME Y14.5-2009 & ASME Y14.41-2003 STANDARDS, UNLESS OTHERWISE SPECIFIED. DIMENSIONS ARE IN INCHES. TOLERANCES ARE:		
NEXT ASSY	USED ON	FRACTIONS ±1/16"	DECIMALS X.X: ±.1 X.XX: ±.01 X.XXX: ±.005	ANGULAR ±2°
APPLICATION		MATERIAL	NAME	DATE
FINISH		DRAWN	AMM	4/30/2020
DO NOT SCALE DRAWING		CHECKED		

**PRESSURE BALANCE SHOWER SET,
MARBLE HANDLE, BASIC II SERIES**

SIZE	ASM/PRT NO.	REV
A	230-23/00	A

SCALE: 1:4 WEIGHT: lbs. SHEET 1 OF 2