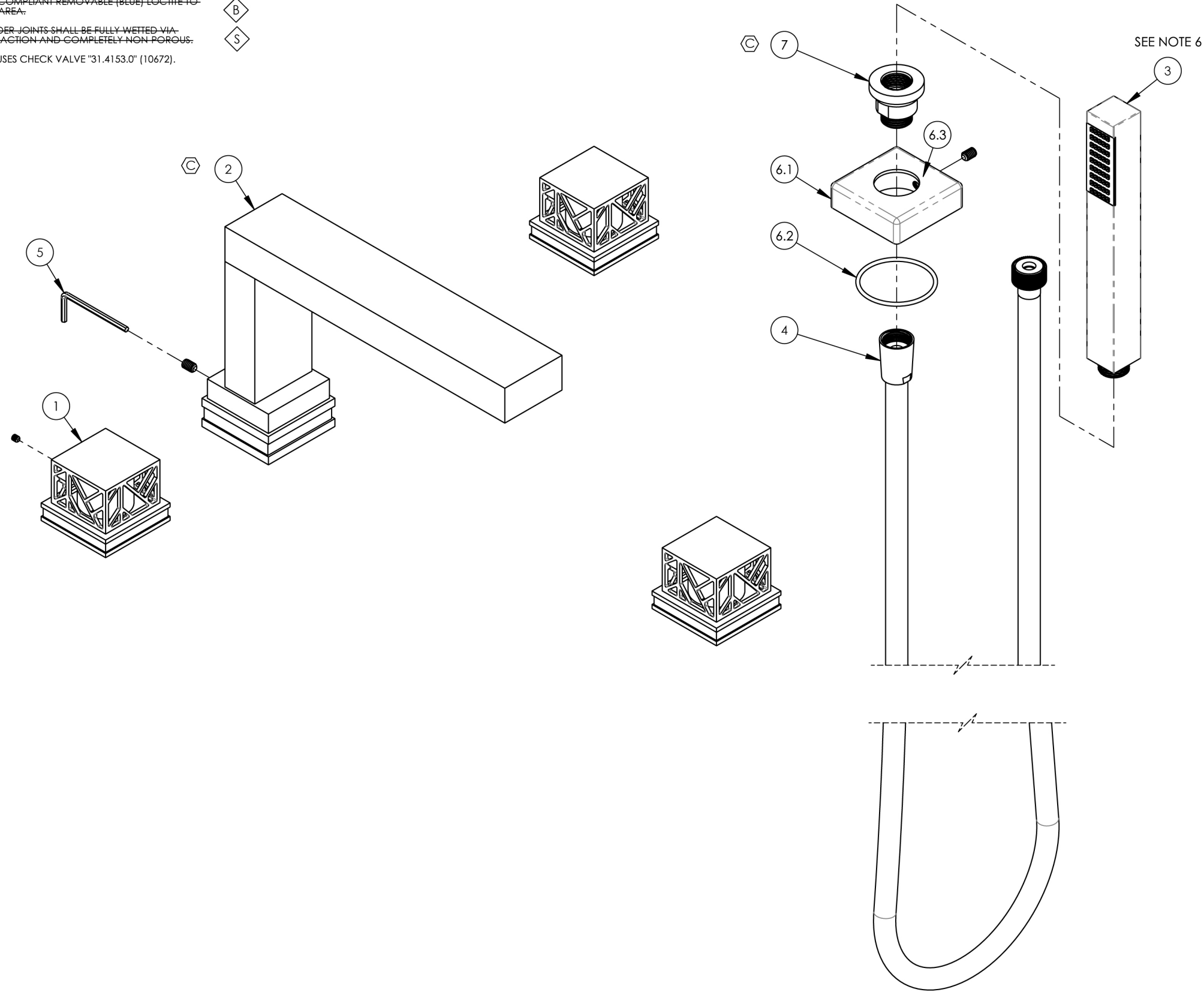


- NOTE(S):
1. PART NUMBER, "/00" DENOTES PART SHALL HAVE FINISH.
 2. APPLY NSF COMPLIANT GREASE TO ANY O-RING, SEALING JOINTS, AND/OR PIVOTAL POINTS.
 3. APPLY NSF COMPLIANT LOCTITE TO THREADED AREA.
 4. APPLY NSF COMPLIANT REMOVABLE (BLUE) LOCTITE TO THREADED AREA.
 5. SILVER SOLDER JOINTS SHALL BE FULLY WETTED VIA CAPILLARY ACTION AND COMPLETELY NON-POROUS.
 6. ASSEMBLY USES CHECK VALVE "31.4153.0" (10672).

- ◇ G
- ◇ L
- ◇ B
- ◇ S

ITEM NO.	PART NUMBER	DESCRIPTION	QTY.
1	3-603/00	ASSY, SQUARE HANDLE & BASE, CAGE DESIGN, JOLIE	3
2	3-641/00	DECK TUB SPOUT, JOLIE, ASSY	1
3	3-600/00	HAND SHOWER, SQUARE, MODERN	1
4	3-049/00	ASSY, HOSE KIT, HANDSHOWER	1
5	92216	HEX L-KEY 1/8" HEX x 2-5/16" L	1
6	3-219/00	ESCUTCHEON BASE, HANDSHOWER, MIX	1
6.1	11215/00	ESCUTCHEON BASE, DECK TUB, HANDSHOWER, MIX	1
6.2	90135	O-RING, 1-15/16" ID X 3/32" THK, AS-568-135	1
6.3	92173	SET SCREW, CUP PT, 1/4"-20 X 3/8" L	1
7	11216/00	ADAPTER, HANDHELD MIX SERIES	1



ALL	C	UPDATED ADAPTER FOR HANDSHOWER, UPDATED TEMPLATE, UPDATED DRAWINGS	6/18/2024	VA
ZONE	REV.	DESCRIPTION	DATE	APPROVED
REVISIONS				

1261 LOGAN AVENUE
COSTA MESA, CALIFORNIA 92626
PHONE: 714.361.4800
FAX: 714.617.3120

PHYLIRICH[®]
Defining Luxury Since 1959

PROPRIETARY AND CONFIDENTIAL
THE INFORMATION CONTAINED IN THIS DRAWING IS THE SOLE PROPERTY OF PHYLIRICH. ANY REPRODUCTION IN PART OR AS A WHOLE WITHOUT THE WRITTEN PERMISSION OF PHYLIRICH IS PROHIBITED.
DO NOT SCALE DRAWING

DECK TUB SET W/ HANDSHOWER, SQUARE, JOLIE

SIZE B	ASM/PRT NO. 222-49/00	REV C
SCALE: 1:3	WEIGHT: lbs.	SHEET 1 OF 2