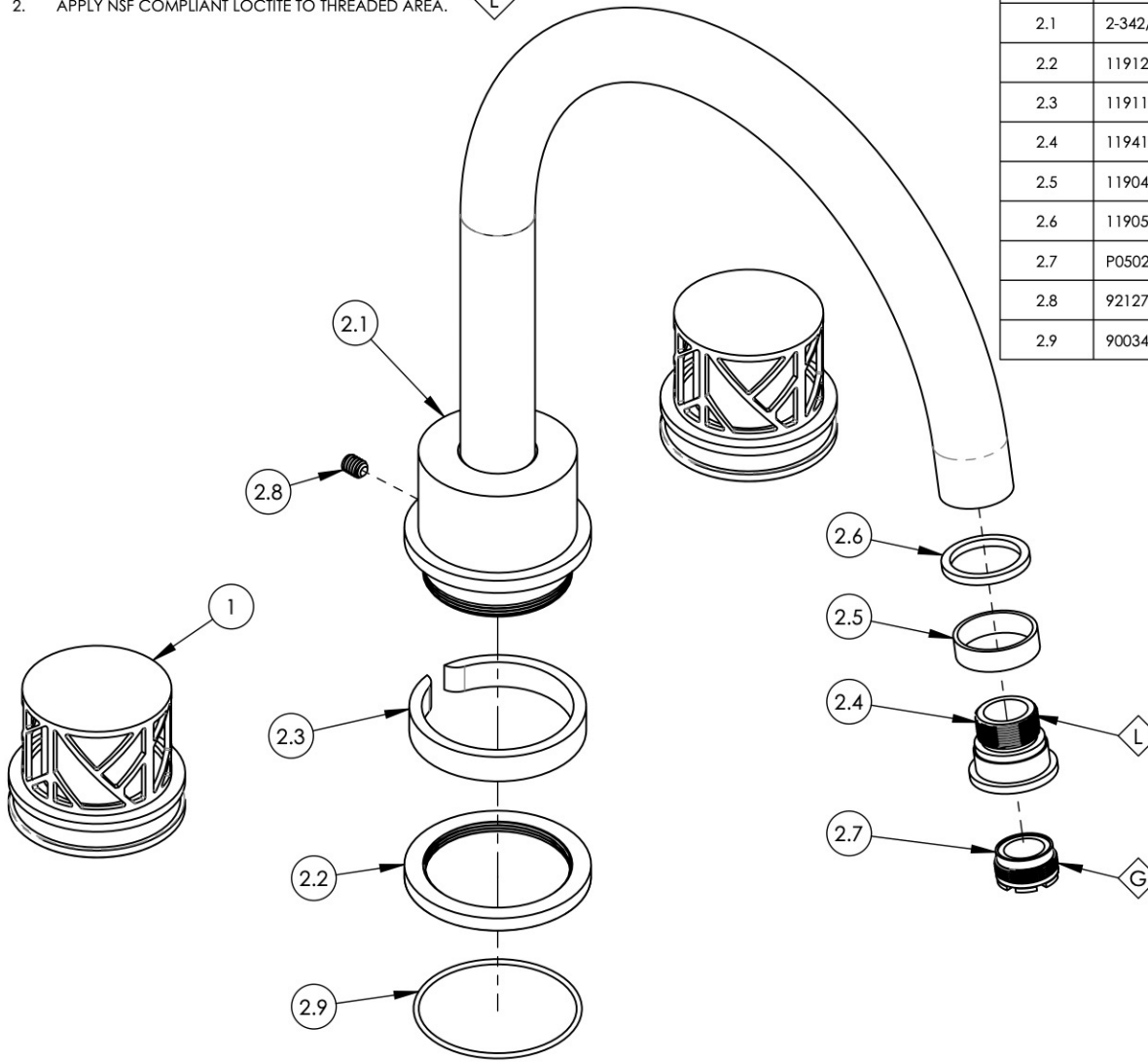


- NOTE(S):
1. APPLY NSF COMPLIANT GREASE TO ANY O-RING, SEALING JOINTS, AND/OR PIVOTAL POINTS. G
 2. APPLY NSF COMPLIANT LOCTITE TO THREADED AREA. L



ITEM NO.	PART NUMBER	DESCRIPTION	QTY.
1	3-605/00	ASSY, ROUND HANDLE & BASE, CAGE DESIGN, JOLIE	2
2	3-640/00	ASSY, DECK TUB SPOUT & BASE, ROUND, JOLIE	1
2.1	2-342/00	ASSY, SPOUT & BASE BRAZE, ROUND, JOLIE, BRAZE	1
2.2	11912/00	THREADED RING, BASE, DECK TUB SPOUT, ROUND, JOLIE	1
2.3	11911/00	DECORATIVE RING, BASE, DECK TUB SPOUT, ROUND	1
2.4	11941/00	THREADED AERATOR HOUSING, BOTTOM	1
2.5	11904/00	CENTER RING, AERATOR HOUSING, WALL/TUB SPOUT, JOLIE	1
2.6	11905/00	DECORATIVE WASHER, AERATOR HOUSING, WALL/TUB SPOUT	1
2.7	P05024	AERATOR CACHE COIN SLOT, M21.5X1.0 FULL FLOW	1
2.8	92127	SET SCREW, CUP POINT, 1/4-20 X 5/16" L. STAINLESS STEEL	1
2.9	90034	O-RING, 2-1/8" ID X 2-1/4" OD X 1/16" THK, AS-568-034	1

ALL	REV.	DESCRIPTION	DATE	APPROVED
A		UPDATE TEMPLATE, ADD CALL OUTS	3/31/2020	AMM
REVISIONS				

1261 LOGAN AVENUE
COSTA MESA, CALIFORNIA 92626
PHONE: 714.361.4800
FAX: 714.617.3120

PHYLIRICH[®]
Defining Luxury Since 1959

PROPRIETARY AND CONFIDENTIAL
THE INFORMATION CONTAINED IN THIS DRAWING IS THE SOLE PROPERTY OF PHYLIRICH. ANY REPRODUCTION IN PART OR AS A WHOLE WITHOUT THE WRITTEN PERMISSION OF PHYLIRICH IS PROHIBITED.

-		INTERPRET GEOMETRIC DIMENSIONING & TOLERANCING IN ACCORDANCE WITH ASME Y14.5-2009 & ASME Y14.41-2003 STANDARDS, UNLESS OTHERWISE SPECIFIED. DIMENSIONS ARE IN INCHES. TOLERANCES ARE:		
-		FRACTIONS ±1/16"	DECIMALS X.X: ±.1 X.XX: ±.01 X.XXX: ±.005	ANGULAR ±2°
NEXT ASSY		USED ON		
APPLICATION				
MATERIAL		NAME	DATE	
FINISH		DRAWN	RAH	9/23/2019
DO NOT SCALE DRAWING		CHECKED		

ASSY, DECK TUB SET, ROUND JOLIE			
SIZE	ASM/PRT NO.	REV	
A	222-40/00	A	
SCALE: 1:2.5	WEIGHT: lbs.	SHEET 1 OF 2	