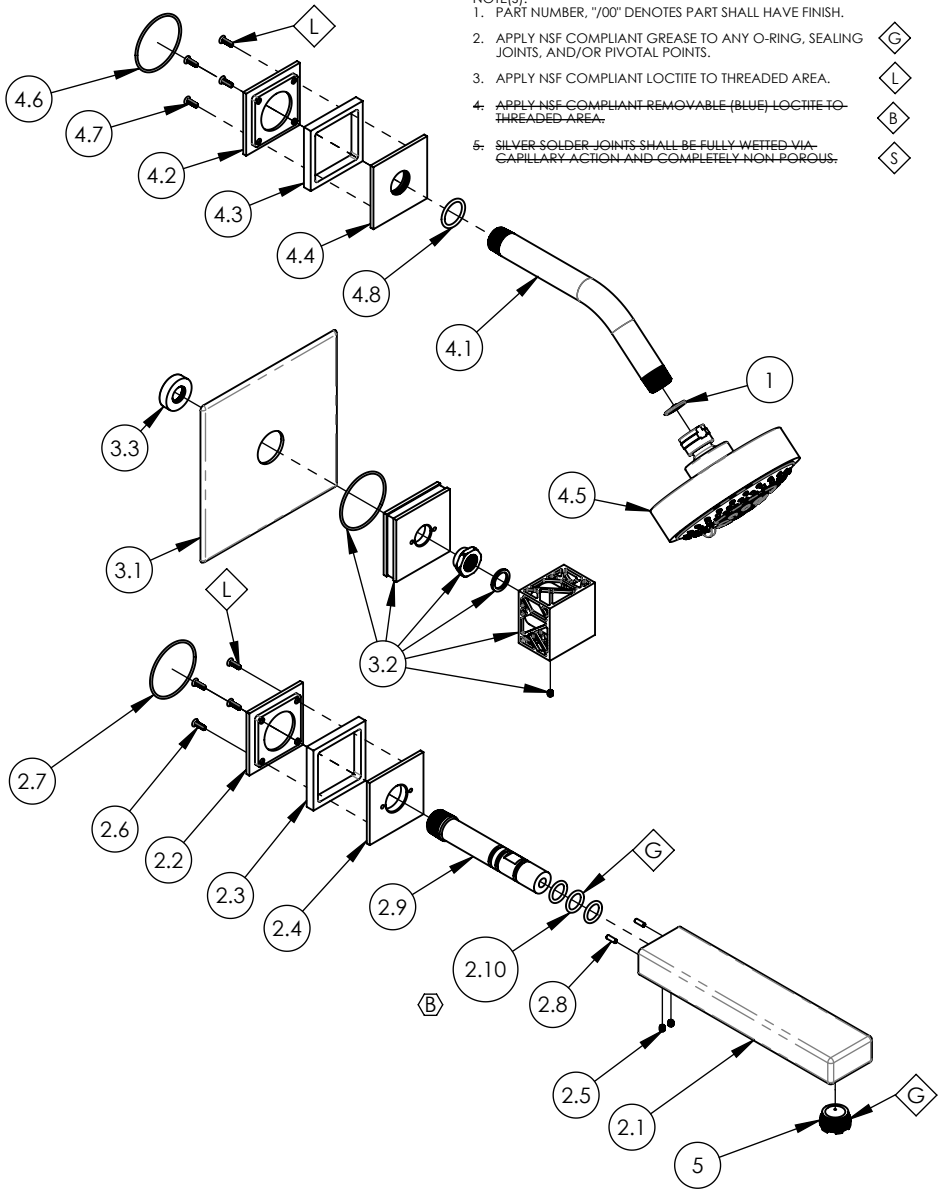


- NOTE(S):
1. PART NUMBER, "/00" DENOTES PART SHALL HAVE FINISH.
 2. APPLY NSF COMPLIANT GREASE TO ANY O-RING, SEALING JOINTS, AND/OR PIVOTAL POINTS.
 3. APPLY NSF COMPLIANT LOCTITE TO THREADED AREA.
 4. APPLY NSF COMPLIANT REMOVABLE (BLUE) LOCTITE TO THREADED AREA.
 5. SILVER SOLDER JOINTS SHALL BE FULLY WETTED VIA CAPILLARY ACTION AND COMPLETELY NON-POROUS.



ITEM NO.	PART NUMBER	DESCRIPTION	QTY.
1	11432	1.75 GPM FLOW REGULATOR	1
2	3-638/00	ASSY, WALL SPOUT & BASE, SQUARE, JOLIE	1
2.1	11000/00	SPOUT, WALL MOUNT	1
2.2	11806/00	SQUARE BASE, BOTTOM, JOLIE	1
2.3	11804/00	SQAURE INSERT, HANDLE, BASE	1
2.4	11906/00	COVER, WALL SPOUT BASE, SQUARE, JOLIE	1
2.5	92008	SET SCREW, CUP POINT 8-32, 3/16" L.	2
2.6	92434	SCREW, SS PHILLIPS FLAT HEAD W/ UNDERCUT 6-32 X 7/16" L	4
2.7	90032	O-RING, 1-7/8"ID X 2"OD X 1/16"THK, AS-568-032	1
2.8	92158	DOWEL PIN, 1/8" X 3/8" L	2
2.9	10013	INJECTOR SHANK, 1/2"NPT MALE TO M16.5 CACHE W/ O-SEAL	1
2.10	90113	O-RING, 9/16"ID X 3/4"OD X 3/32"THK, AS-568-113	3
3	4-593/00	ASSY, SHOWER TRIM, SINGLE HANDLE, SQUARE, JOLIE	1
3.1	10958/00	PLATE, SHOWER TRIM MIX SERIES	1
3.2	3-603/00	ASSY, SQUARE HANDLE & BASE, CAGE DESIGN, JOLIE	1
3.3	11087	SLEEVE FOR PB-THERM PLATE	1
4	4-595/00	FLANGE, SHOWER ARM, MULTIFUNCTION SHOWER HEAD, SQUARE, JOLIE	1
4.1	P16008/00	SHOWER ARM (8 INCH)	1
4.2	11806/00	SQUARE BASE, BOTTOM, JOLIE	1
4.3	11804/00	SQAURE INSERT, HANDLE, BASE	1
4.4	11908/00	FLANGE COVER, SHOWER ARM, SQUARE, JOLIE	1
4.5	3-454/00	SHOWER HEAD MULTI. FUNC. CONTEMP.	1
4.6	90032	O-RING, 1-7/8"ID X 2"OD X 1/16"THK, AS-568-032	1
4.7	92434	SCREW, SS PHILLIPS FLAT HEAD W/ UNDERCUT 6-32 X 7/16" L	4
4.8	90117	O-RING, 7/8"ID X 33/32"THK., AS-568-117	1
5	P05051	AERATOR, CACHE COINED SLOT M24X1.0 FULL FLOW	1

ZONE	REV.	DESCRIPTION	DATE	APPROVED
B4	B	UPDATE O-RINGS	6/10/2021	AMM
REVISIONS				

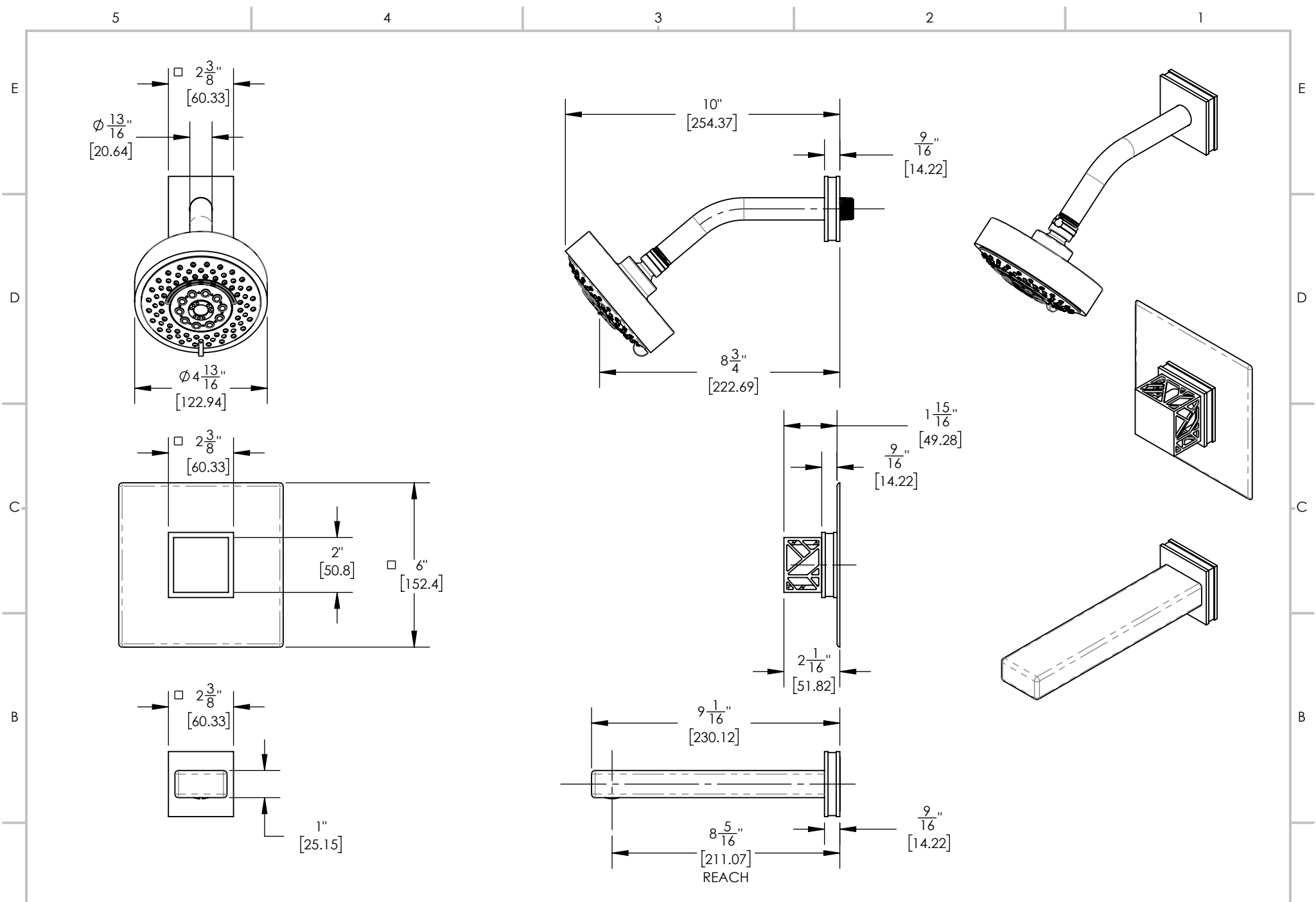
1261 LOGAN AVENUE
COSTA MESA, CALIFORNIA 92626
PHONE: 714.361.4800
FAX: 714.617.3120

PHYLIRICH[®]
Defining Luxury Since 1959

PROPRIETARY AND CONFIDENTIAL
THE INFORMATION CONTAINED IN THIS DRAWING IS THE SOLE PROPERTY OF PHYLIRICH. ANY REPRODUCTION IN PART OR AS A WHOLE WITHOUT THE WRITTEN PERMISSION OF PHYLIRICH IS PROHIBITED.
DO NOT SCALE DRAWING

ASSY, PRESSURE BALANCE TUB & SHOWER, SQUARE, JOLIE

SIZE A	ASM/PRT NO. 222-27/00	REV B
SCALE: 1:6	WEIGHT: lbs.	SHEET 1 OF 2



1261 LOGAN AVENUE
 COSTA MESA, CALIFORNIA 92626
 PHONE: 714.361.4800
 FAX: 714.617.3120

PHYLIRICH[®]
 Defining Luxury Since 1959

PROPRIETARY AND CONFIDENTIAL
 THE INFORMATION CONTAINED IN THIS DRAWING IS THE SOLE PROPERTY OF PHYLIRICH. ANY REPRODUCTION IN PART OR AS A WHOLE WITHOUT THE WRITTEN PERMISSION OF PHYLIRICH IS PROHIBITED.
DO NOT SCALE DRAWING

ASSY, PRESSURE BALANCE TUB & SHOWER, SQUARE, JOLIE

SIZE A	ASM/PRT NO.	REV
	222-27/00	B
SCALE: 1:4.5	WEIGHT: lbs.	SHEET 2 OF 2