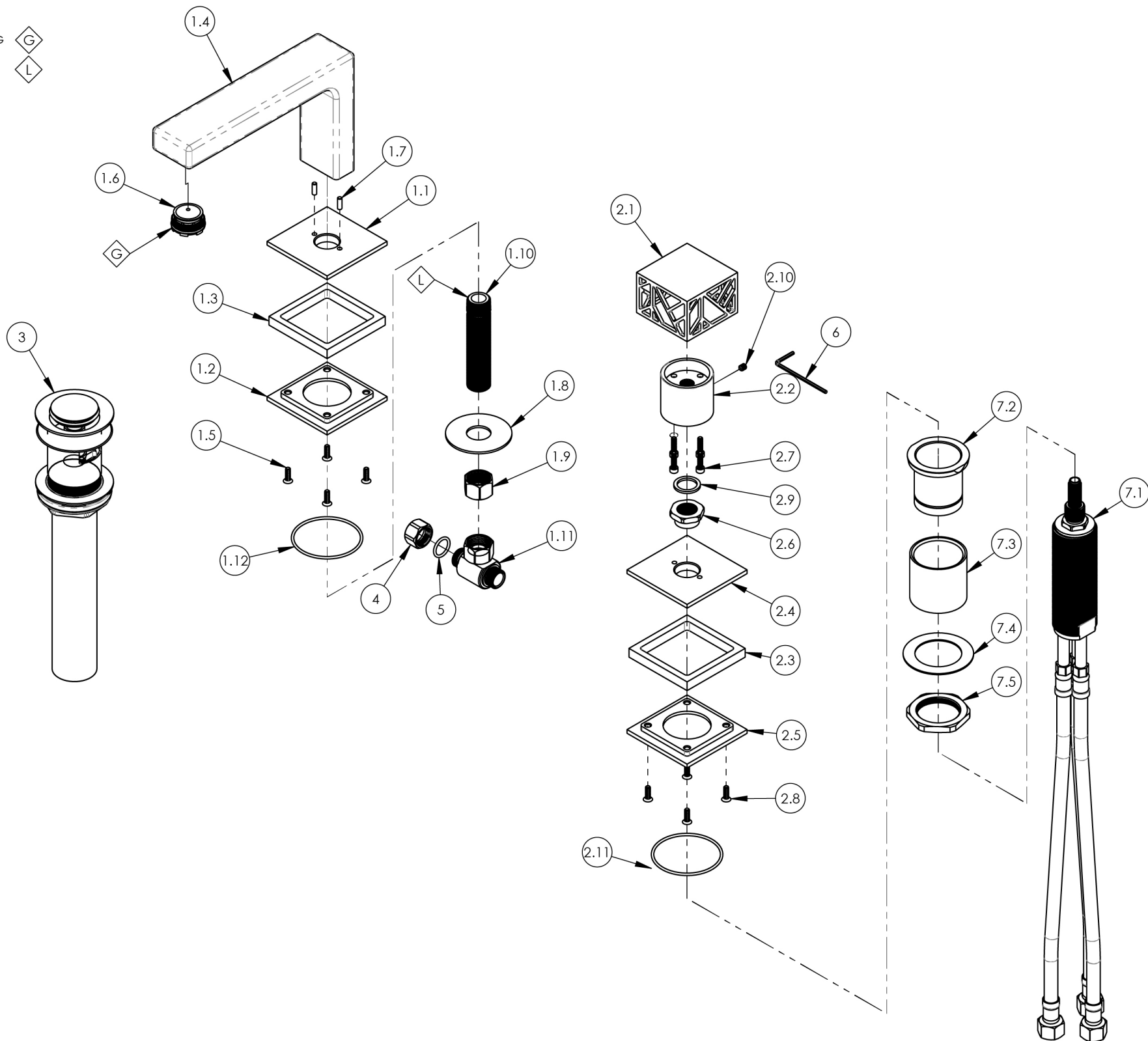


NOTE(S):  
 1. PART NUMBER, "/00" DENOTES PART SHALL HAVE FINISH.  
 2. APPLY NSF COMPLIANT GREASE TO ANY O-RING, SEALING JOINTS, AND/OR PIVOTAL POINTS.  
 3. APPLY NSF COMPLIANT LOCTITE TO THREADED AREA.



ITEM NO.	PART NUMBER	DESCRIPTION	QTY.
1	3-604/00	ASSY, SQUARE SPOUT & BASE, JOLIE	1
1.1	11805/00	SQUARE BASE, TOP, JOLIE	1
1.2	11806/00	SQUARE BASE, BOTTOM, JOLIE	1
1.3	11804/00	SQAURE INSERT, HANDLE, BASE	1
1.4	10944/00	SPOUT, WIDESPREAD LAV LOW MIX	1
1.5	92434	SCREW, SS PHILLIPS FLAT HEAD W/ UNDERCUT 6-32 X 7/16" L	4
1.6	11427	AERATOR, CACHE REG, PINK 1.2 GPM, M24X1.0, NEOPERL # 40.2360.010	1
1.7	92158	DOWEL PIN, 1/8" X 3/8" L	2
1.8	92174	WASHER, 1.860 O.D X .690 I.D	1
1.9	10746	NUT, 3/8"-18 NPSL	1
1.10	10745	THREAD ALL, 3/8"-18 NPSM	1
1.11	1-112	TEE VALVE, 3/8" NPSM X 3/8" COMPRESSION	1
1.12	90032	O-RING, 1-7/8"ID X 2"OD X 1/16"THK, AS-568-032	1
2	3-603/00	ASSY, SQUARE HANDLE & BASE, CAGE DESIGN, JOLIE	1
2.1	11802/00	CAGE, HANDLE, SQUARE,	1
2.2	11803/00	HUB, HANDLE, CAGE DESIGN	1
2.3	11804/00	SQAURE INSERT, HANDLE, BASE	1
2.4	11805/00	SQUARE BASE, TOP, JOLIE	1
2.5	11806/00	SQUARE BASE, BOTTOM, JOLIE	1
2.6	92398	MOUNTING NUT, 9/16"-20	1
2.7	92471	SCREW, SS, SOCKET HEAD, 6-32 X 1/2" L	4
2.8	92434	SCREW, SS PHILLIPS FLAT HEAD W/ UNDERCUT 6-32 X 7/16" L	4
2.9	92404	WEAR WASHER, HANDLE	1
2.10	92008	SET SCREW, CUP POINT 8-32, 3/16" L.	1
2.11	90032	O-RING, 1-7/8"ID X 2"OD X 1/16"THK, AS-568-032	1
3	3-545/00	BRASS PUSH TYPE DRAIN, W/ OVERFLOW & SMALL PLUG	1
4	92492	CAP NUT, 3/8" COMPRESSION	1
5	90014	O-RING, 1/2"ID X 5/8"OD X 1/16"THK, AS-568-014	1
6	92021	HEX KEY 5/64, FOR 8-32 SET SCREW	1
7	2-580	VALVE KIT, FLUSH MOUNT, SINGLE HANDLE LAV	1
7.1	1-054	VALVE, DECK MOUNTED SINGLE HANDLE LAV DROP-IN	1
7.2	11077	SLEEVE MOUNT, DECK (ROMAN) TUB	1
7.3	92180	EXTENSION SLEEVE, WIDESPREAD	1
7.4	92138	BRASS WASHER, THIN	1
7.5	92313	HEX NUT, 1-1/4"-20 THREAD	1

1261 LOGAN AVENUE  
 COSTA MESA, CALIFORNIA 92626  
 PHONE: 714.361.4800  
 FAX: 714.617.3120

**PHYLIRICH**<sup>®</sup>  
 Defining Luxury Since 1959

PROPRIETARY AND CONFIDENTIAL  
 THE INFORMATION CONTAINED IN THIS DRAWING IS THE SOLE PROPERTY OF PHYLIRICH. ANY REPRODUCTION IN PART OR AS A WHOLE WITHOUT THE WRITTEN PERMISSION OF PHYLIRICH IS PROHIBITED.  
 DO NOT SCALE DRAWING

WIDESPREAD LAV, SINGLE SQUARE HANDLE, JOLIE

SIZE	ASM/PRT NO.	REV
<b>B</b>	222-07/00	-
SCALE: 1:12	WEIGHT: lbs.	SHEET 1 OF 2