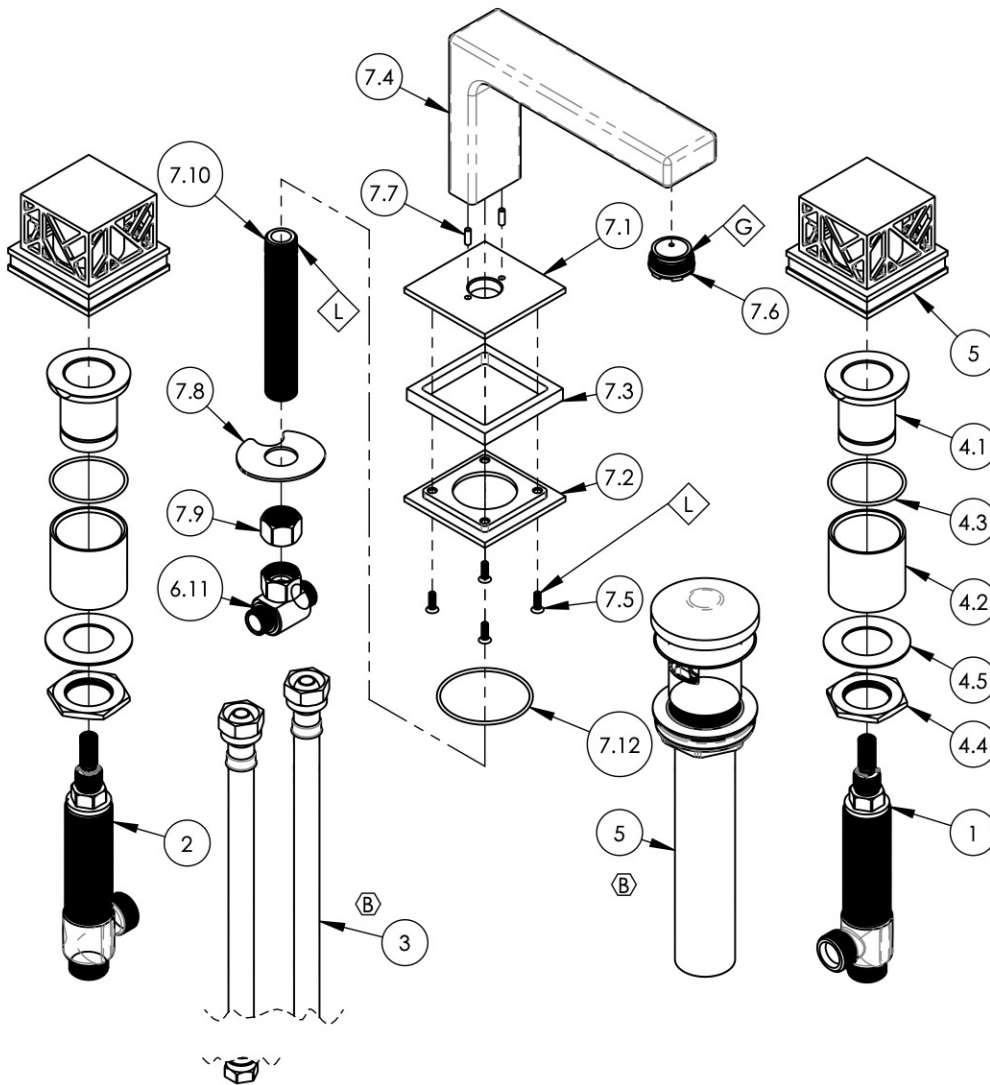


- NOTE(S):
1. APPLY NSF COMPLIANT GREASE TO ANY O-RING, SEALING JOINTS, AND/OR PIVOTAL POINTS.
 2. APPLY NSF COMPLIANT LOCTITE TO THREADED AREA.



ITEM NO.	PART NUMBER	DESCRIPTION	QTY.
1	1-149	WIDESPREAD VALVE LAV 16PT. HOT, ONLY	1
2	1-150	WIDESPREAD VALVE LAV 16PT. COLD, ONLY	1
3	10982	HOSE, 3/8" COMP. X 1/2" NPSM - 12"L	2
4	2-092	RECESSED MOUNTING KIT FOR WIDESPREAD	2
4.1	10998	SLEEVE MOUNT, WIDESPREAD	1
4.2	92180	EXTENSION SLEEVE, WIDESPREAD	1
4.3	90029	O-RING, 1-5/8"ID X 1-3/4"OD X 1/16"THK, AS-568-029	1
4.4	92251	HEX NUT, 1"-20 THREAD	1
4.5	92252	WASHER, 1-1/32" ID 1-13/16" OD	1
5	3-545/00	BRASS PUSH TYPE DRAIN, W/ OVERFLOW & SMALL PLUG	1
5	3-603/00	ASSY, SQUARE HANDLE & BASE, CAGE DESIGN, JOLIE	2
6	3-604/00	ASSY, SQUARE SPOUT & BASE, JOLIE	1
7.1	11805/00	SQUARE BASE, TOP, JOLIE	1
7.2	11806/00	SQUARE BASE, BOTTOM, JOLIE	1
7.3	11804/00	SQAURE INSERT, HANDLE, BASE	1
7.4	10944/00	SPOUT, WIDESPREAD LAV LOW MIX	1
7.5	92434	SCREW, SS PHILLIPS FLAT HEAD W/ UNDERCUT 6-32 X 7/16"	4
7.6	11427	AERATOR, CACHE REG, PINK 1.2 GPM, M24X1.0, NEOPERL # 40.2360.010	1
7.7	92158	DOWEL PIN, 1/8" X 3/8"L	2
7.8	92174	WASHER MOUNT WIDESPREAD (3/8")	1
7.9	10746	NUT, 3/8"-18 NPSL	1
7.10	10745	THREAD ALL, 3/8"-18 NPSL - 3/8"NPT	1
6.11	1-112	TEE VALVE, 3/8" NPSM X 3/8" COMPRESSION	1
7.12	90032	O-RING, 1-7/8"ID X 2"OD X 1/16"THK, AS-568-032	1

ALL	B	UPDATE TEMPLATE, ADD HOSES, UPDATE DRAIN, ADD CALLOUTS	3/31/2020	AMM
ZONE	REV.	DESCRIPTION	DATE	APPROVED
REVISIONS				

1261 LOGAN AVENUE
COSTA MESA, CALIFORNIA 92626
PHONE: 714.361.4800
FAX: 714.617.3120

PHYLIRICH[®]
Defining Luxury Since 1959

PROPRIETARY AND CONFIDENTIAL
THE INFORMATION CONTAINED IN THIS DRAWING IS THE SOLE PROPERTY OF PHYLIRICH. ANY REPRODUCTION IN PART OR AS A WHOLE WITHOUT THE WRITTEN PERMISSION OF PHYLIRICH IS PROHIBITED.
DO NOT SCALE DRAWING

WIDESPREAD FAUCET, SQUARE HANDLE, JOLIE SERIES

SIZE A	ASM/PRT NO. 222-02/00	REV B
SCALE: 1:4	WEIGHT: lbs.	SHEET 1 OF 2