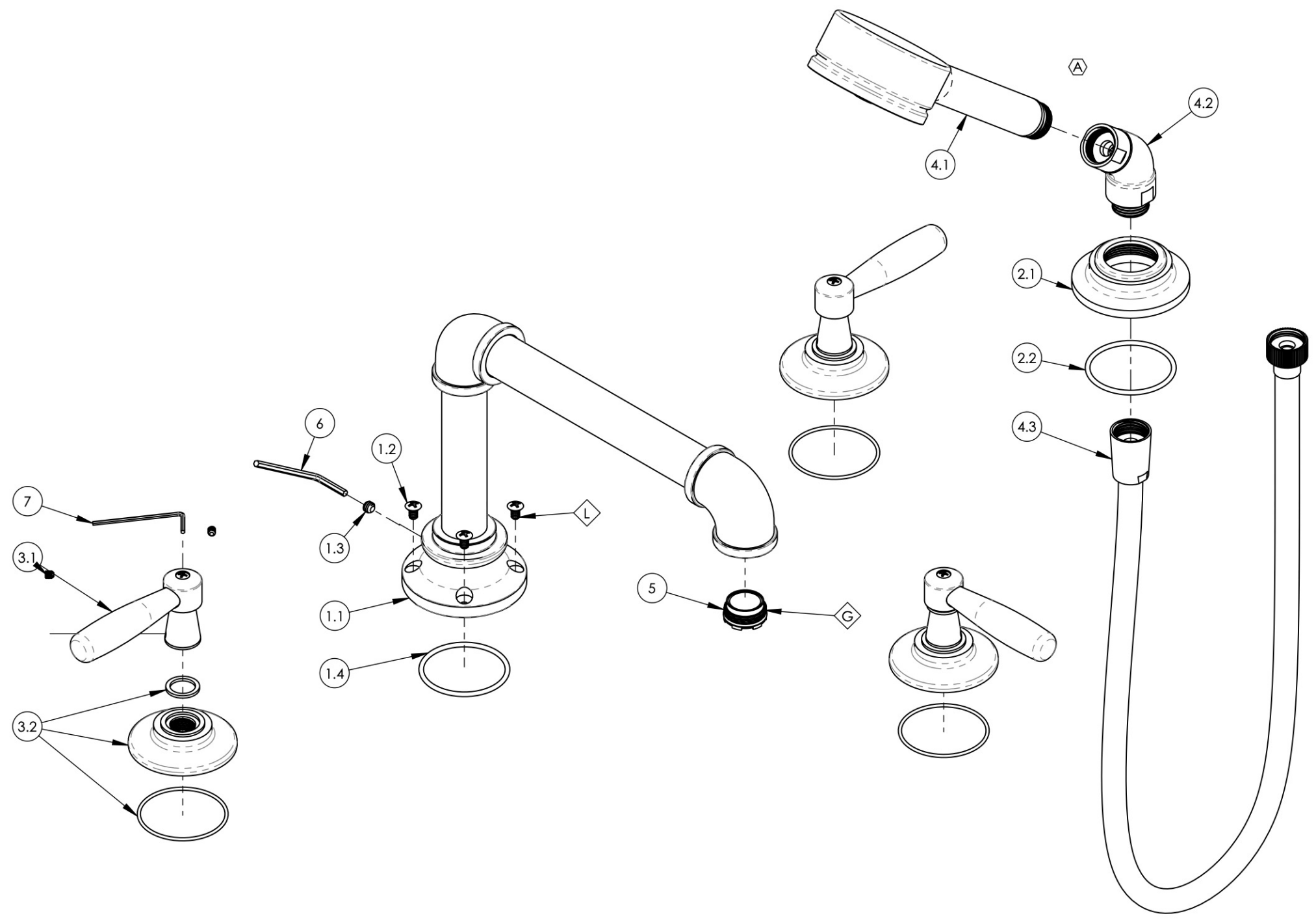


NOTE(S):
 1. APPLY NSF COMPLIANT GREASE TO ANY O-RING, SEALING JOINTS, AND/OR PIVOTAL POINTS. G

2. APPLY NSF COMPLIANT LOCTITE TO THREADED AREA. L

ITEM NO.	PART NUMBER	DESCRIPTION	QTY.
1	3-296/00	SPOUT, DECK TUB, INDUSTRIAL, WORKS	1
1.1	2-354/00	SPOUT, DECK TUB, INDUSTRIAL, BRAZE, WORKS	1
1.2	92448	SCREW, STAINLESS STEEL, PHILLIPS HEAD, 10-24 X 5/16" L	4
1.3	92391	SET SCREW, CUP PT, 1/4"-20 X 3/16"L	1
1.4	90133	1 3/4"O-RING, 1-13/16ID X 3/32THK, AS-568-133	1
2	3-298/00	ESCUTCHEON BASE, HANDSHOWER, WORKS	1
2.1	11971/00	ESCUTCHEON BASE, HANDSHOWER, WORKS	1
2.2	90133	1 3/4"O-RING, 1-13/16ID X 3/32THK, AS-568-133	1
3	3-615/00	HANDLE LEVER W/ BASE & HARDWARE, WORKS	3
3.1	3-303/00	HANDLE LEVER W/ HARDWARE, WORKS	1
3.2	3-299/00	ESCUTCHEON BASE FOR HANDLE, WORKS	1
4	4-524/00	HAND SHOWER HEAD, ELBOW, HOSE, SINGLE FUNCTION STILO 70	1
4.1	3-066/00	HANDSHOWER, SINGLE FUNCTION STILO 70	1
4.2	3-050/00	ELBOW ASSEMBLY	1
4.3	3-049/00	ASSY, HOSE KIT, HANDSHOWER	1
5	11650	AERATOR, CACHE FULL FLOW, M24X1-6G	1
6	92216	HEX L-KEY 1/8" HEX x 2-5/16"L	1
7	P39001	HEX KEY 5/64, FOR 8-32 SET SCREW	1



D4	A	UPDATE HAND SHOWER ASSEMBLY	10/8/2020	AMM	
ZONE	REV.	DESCRIPTION	DATE	APPROVED	
REVISIONS					
1261 LOGAN AVENUE COSTA MESA, CALIFORNIA 92626 PHONE: 714.361.4800 FAX: 714.617.3120		PHYLIRICH Defining Luxury Since 1959	PROPRIETARY AND CONFIDENTIAL THE INFORMATION CONTAINED IN THIS DRAWING IS THE SOLE PROPERTY OF PHYLIRICH. ANY REPRODUCTION IN PART OR AS A WHOLE WITHOUT THE WRITTEN PERMISSION OF PHYLIRICH IS PROHIBITED.		

NEXT ASSY	USED ON	FRACTIONS ±1/16"	DECIMALS X.X: ±.1 X.XX: ±.01 X.XXX: ±.005	ANGULAR ±2°
APPLICATION		MATERIAL	NAME	DATE
FINISH		DRAWN	AMM	1/22/2020
DO NOT SCALE DRAWING		CHECKED		

DECK TUB SET W/ HANDSHOWER, INDUSTRIAL SPOUT, LEVER, WORKS		
SIZE B	ASM/PRT NO. 221-49/00	REV A
SCALE: 1:2.75	WEIGHT: lbs.	SHEET 1 OF 2