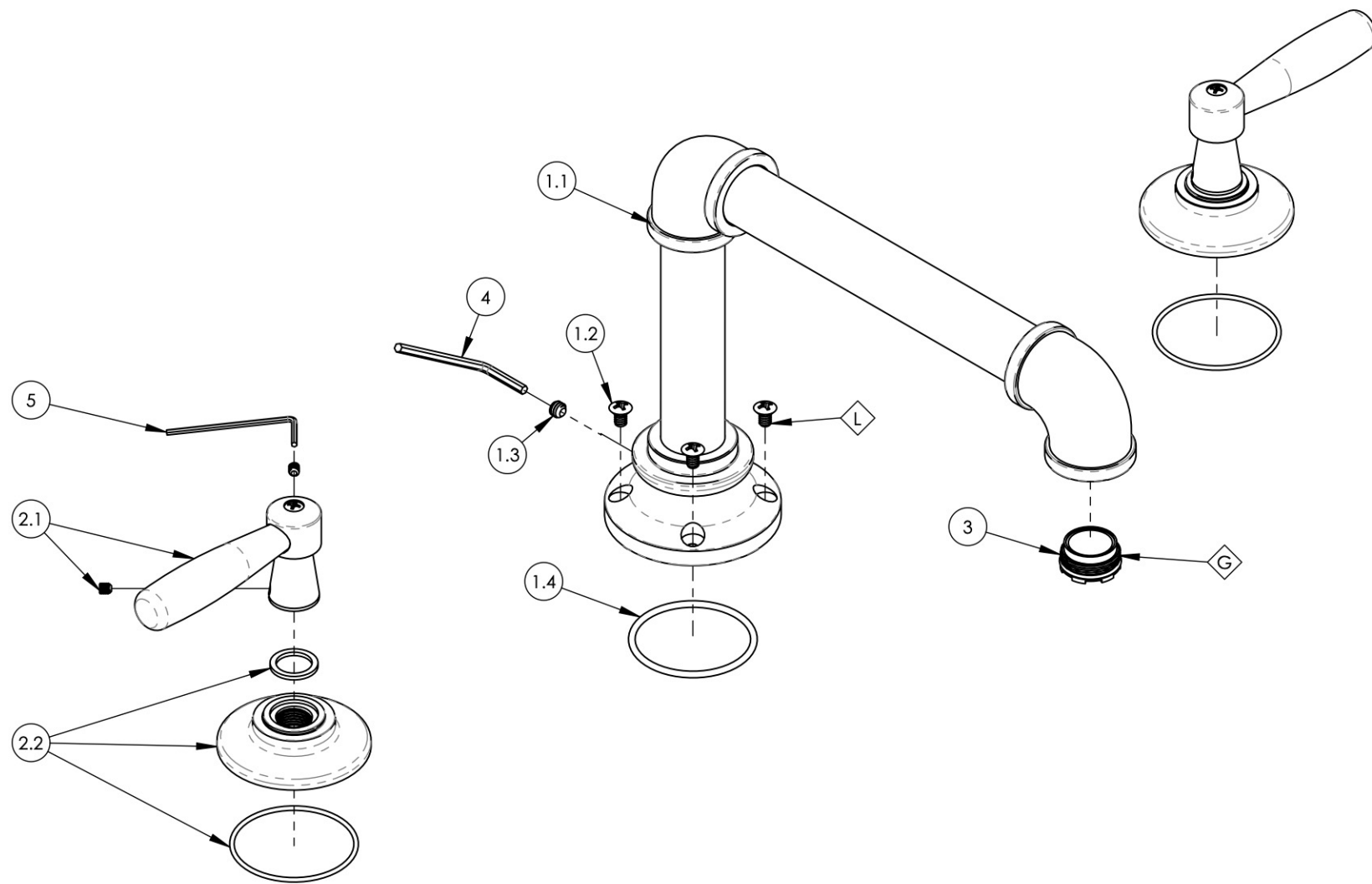


NOTE(S):

- 1. APPLY NSF COMPLIANT GREASE TO ANY O-RING, SEALING JOINTS, AND/OR PIVOTAL POINTS. G
- 2. APPLY NSF COMPLIANT LOCTITE TO THREADED AREA. L

ITEM NO.	PART NUMBER	DESCRIPTION	QTY.
1	3-296/00	SPOUT, DECK TUB, INDUSTRIAL, WORKS	1
1.1	2-354/00	SPOUT, DECK TUB, INDUSTRIAL, BRAZE, WORKS	1
1.2	92448	SCREW, STAINLESS STEEL, PHILLIPS HEAD, 10-24 X 5/16" L	4
1.3	92391	SET SCREW, CUP PT, 1/4"-20 X 3/16"L	1
1.4	90133	1 3/4"O-RING, 1-13/16ID X 3/32THK, AS-568-133	1
2	3-615/00	HANDLE LEVER W/ BASE & HARDWARE, WORKS	2
2.1	3-303/00	HANDLE LEVER W/ HARDWARE, WORKS	1
2.2	3-299/00	ESCUTCHEON BASE FOR HANDLE, WORKS	1
3	11650	AERATOR, CACHE FULL FLOW, M24X1-6G	1
4	92216	HEX L-KEY 1/8" HEX x 2-5/16"L	1
5	P39001	HEX KEY 5/64, FOR 8-32 SET SCREW	1



ZONE	REV.	DESCRIPTION	DATE	APPROVED			
REVISIONS							
1261 LOGAN AVENUE COSTA MESA, CALIFORNIA 92626 PHONE: 714.361.4800 FAX: 714.617.3120		PHYLIRICH®	PROPRIETARY AND CONFIDENTIAL THE INFORMATION CONTAINED IN THIS DRAWING IS THE SOLE PROPERTY OF PHYLIRICH. ANY REPRODUCTION IN PART OR AS A WHOLE WITHOUT THE WRITTEN PERMISSION OF PHYLIRICH IS PROHIBITED.				
		NEXT ASSY		USED ON		INTERPRET GEOMETRIC DIMENSIONING & TOLERANCING IN ACCORDANCE WITH ASME Y14.5-2009 & ASME Y14.41-2003 STANDARDS. UNLESS OTHERWISE SPECIFIED, DIMENSIONS ARE IN INCHES. TOLERANCES ARE: FRACTIONS ±1/16" DECIMALS X.X: ±.1 X.XX: ±.01 X.XXX: ±.005 ANGULAR ±2°	
		APPLICATION		MATERIAL		NAME DATE DRAWN AMM 1/22/2020	
		FINISH		CHECKED		SCALE: 1:2.5 WEIGHT: lbs. SHEET 1 OF 2	
DO NOT SCALE DRAWING						DECK TUB SET, INDUSTRIAL SPOUT, LEVER, WORKS SIZE ASM/PRT NO. REV <b>B</b> 221-41/00 SCALE: 1:2.5 WEIGHT: lbs. SHEET 1 OF 2	