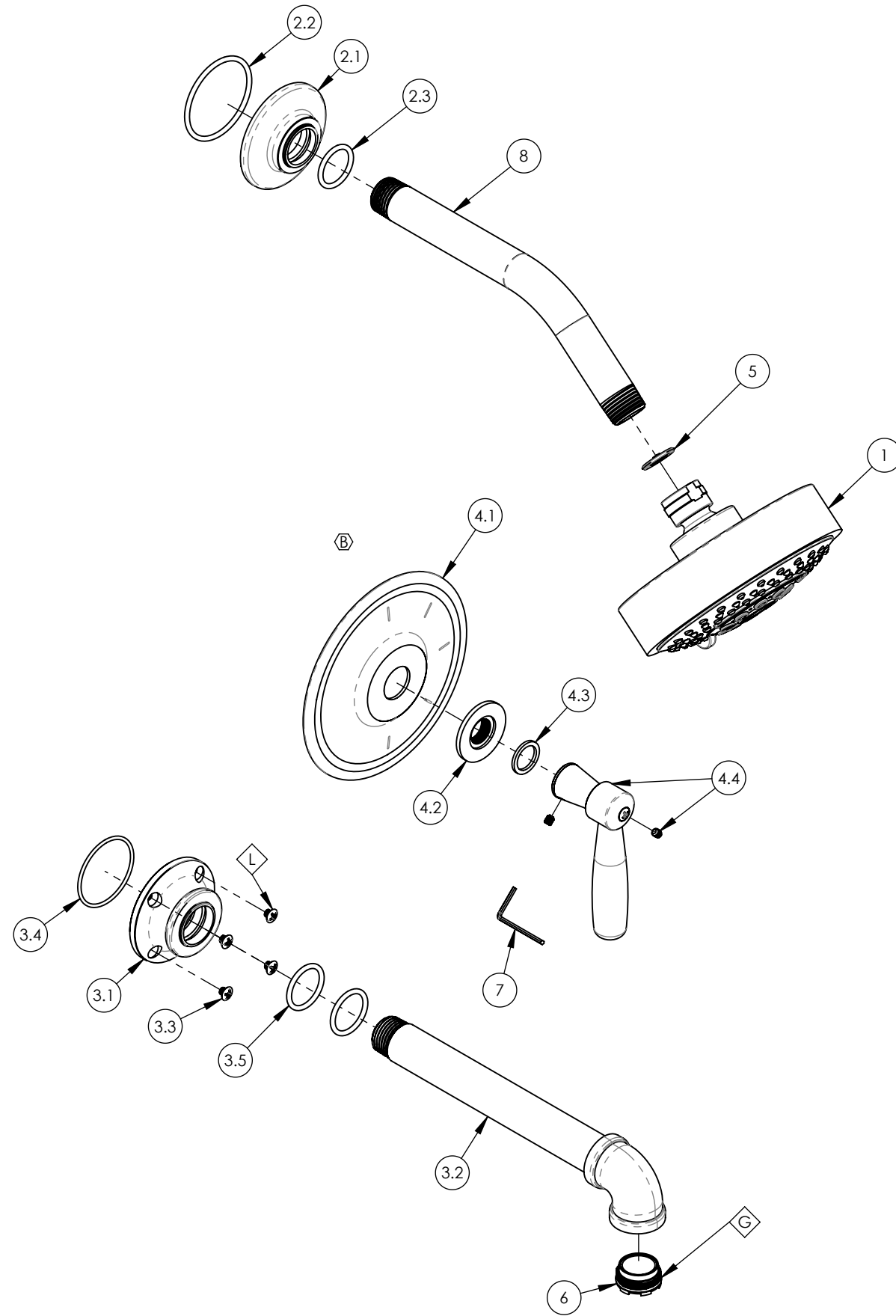


- NOTE(S):  
 1. PART NUMBER, "/00" DENOTES PART SHALL HAVE FINISH.  
 2. APPLY NSF COMPLIANT GREASE TO ANY O-RING, SEALING JOINTS, AND/OR PIVOTAL POINTS. **G**  
 3. APPLY NSF COMPLIANT LOCTITE TO THREADED AREA. **L**  
 4. APPLY NSF COMPLIANT REMOVABLE (BLUE) LOCTITE TO THREADED AREA. **B**  
 5. SILVER SOLDER JOINTS SHALL BE FULLY WETTED VIA CAPILLARY ACTION AND COMPLETELY NON-POROUS. **S**  
 6. REQUIRED IN WALL VALVE: 1-030



ITEM NO.	PART NUMBER	DESCRIPTION	QTY.
1	3-454/00	SHOWER HEAD MULTI. FUNC. CONTEMP.	1
2	3-622/00	FLANGE FOR SHOWER ARM, WORKS	1
2.1	11938/00	ESCUTCHEON FLANGE, SHOWER ARM, WORKS	1
2.2	90132	O-RING, 1-3/4"ID X 3/32THK., AS-568-132	1
2.3	90117	O-RING, 7/8"ID X 3/32THK., AS-568-117	1
3	3-644/00	SPOUT, WALL, W/ HARDWARE, INDUSTRIAL, WORKS	1
3.1	11935/00	ESCUTCHEON BASE, WALL SPOUT	1
3.2	2-350/00	SPOUT, WALL, INDUSTRIAL, BRAZE, WORKS	1
3.3	92431	SCREW, STAINLESS STEEL PHILLIPS HEAD, 8-32 X 1/4" L	4
3.4	90029	O-RING, 1-5/8"ID X 1-3/4"OD X 1/16"THK., AS-568-029	1
3.5	90118	O-RING, 7/8"ID X 1-1/16"OD X 3/32THK., AS-568-118	2
4	4-581/00	SHOWER TRIM PLATE, SINGLE HANDLE LEVER, WORKS	1
4.1	11939/00	TRIM PLATE, SHOWER, WORKS	1
4.2	11940/00	MOUNTING HUB, TRIM PLATE SHOWER, WORKS	1
4.3	92404	WEAR WASHER, HANDLE	1
4.4	3-303/00	HANDLE LEVER W/ HARDWARE, WORKS	1
5	11432	1.75 GPM FLOW REGULATOR	1
6	11650	AERATOR, CACHE FULL FLOW, M24X1-6G	1
7	92021	HEX KEY 5/64, FOR 8-32 SET SCREW	1
8	P16008/00	SHOWER ARM (8 INCH)	1

**B**

ZONE	REV.	DESCRIPTION	DATE	APPROVED
C5	B	ADD NOTES, UPDATE TO NON DIVERTED TRIM PLATE	4/26/2022	AMM
REVISIONS				

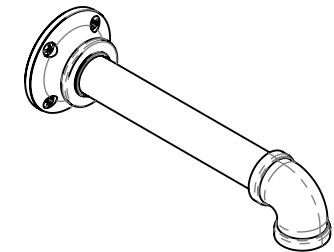
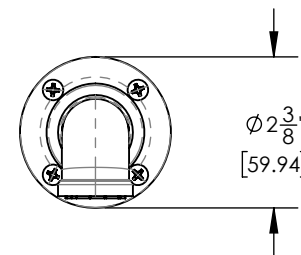
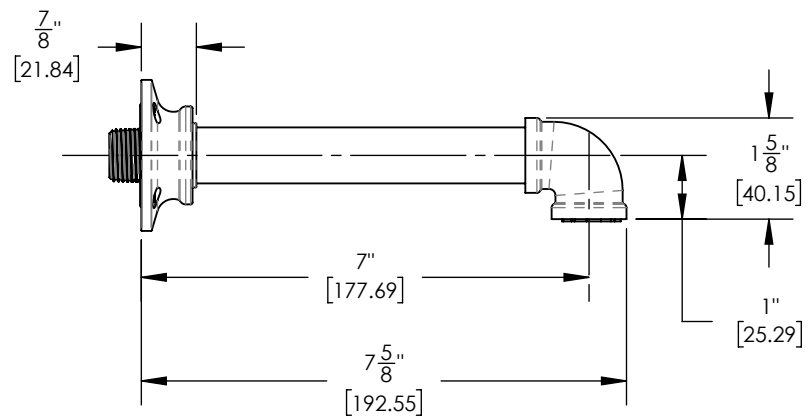
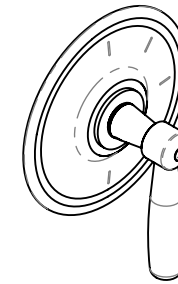
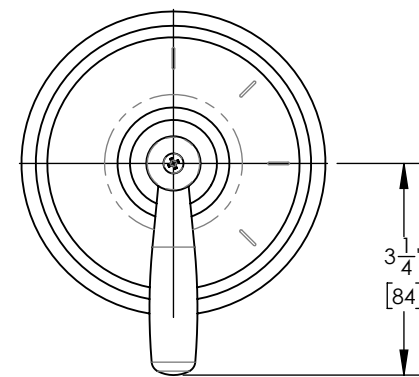
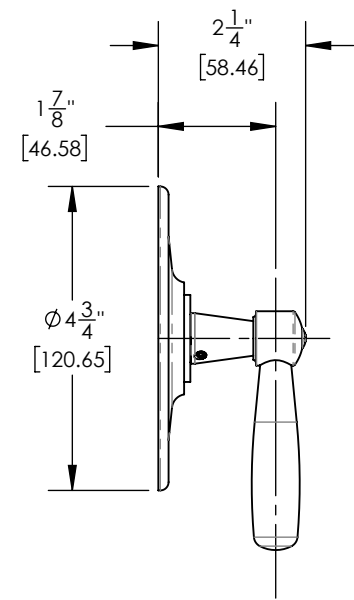
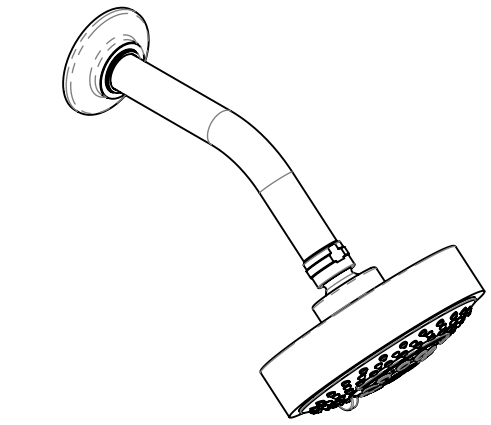
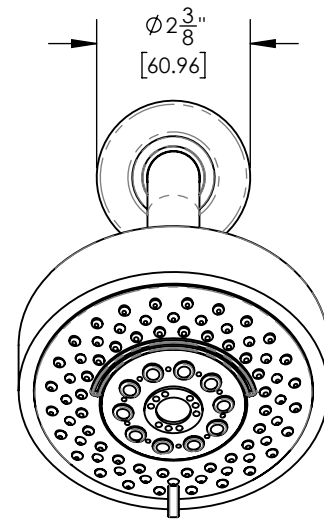
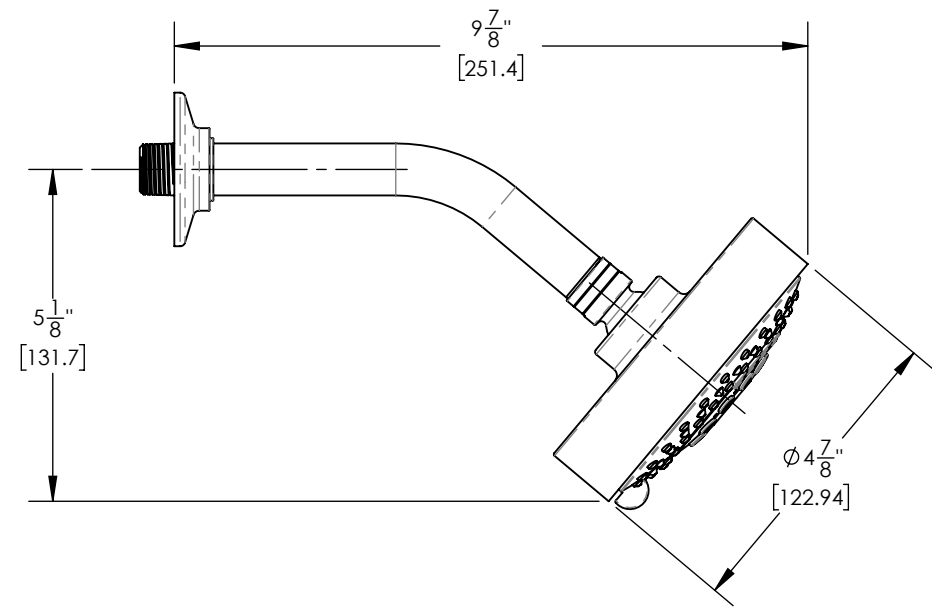
1261 LOGAN AVENUE  
 COSTA MESA, CALIFORNIA 92626  
 PHONE: 714.361.4800  
 FAX: 714.617.3120

**PHYLIRICH**<sup>®</sup>  
 Defining Luxury Since 1959

**PROPRIETARY AND CONFIDENTIAL**  
 THE INFORMATION CONTAINED IN THIS DRAWING IS THE SOLE PROPERTY OF PHYLIRICH. ANY REPRODUCTION IN PART OR AS A WHOLE WITHOUT THE WRITTEN PERMISSION OF PHYLIRICH IS PROHIBITED.  
**DO NOT SCALE DRAWING**

**PRESSURE BALANCE TUB AND SHOWER SET, INDUSTRIAL, LEVER, WORKS II**

SIZE <b>B</b>	ASM/PRT NO. 221-27/00	REV <b>B</b>
SCALE: 1:3	WEIGHT: lbs.	SHEET 1 OF 2



1261 LOGAN AVENUE  
COSTA MESA, CALIFORNIA 92626  
PHONE: 714.361.4800  
FAX: 714.617.3120

**PHYLIRICH**<sup>®</sup>  
Defining Luxury Since 1959

**PROPRIETARY AND CONFIDENTIAL**  
THE INFORMATION CONTAINED IN THIS DRAWING IS THE SOLE PROPERTY OF PHYLIRICH. ANY REPRODUCTION IN PART OR AS A WHOLE WITHOUT THE WRITTEN PERMISSION OF PHYLIRICH IS PROHIBITED.  
**DO NOT SCALE DRAWING**

**PRESSURE BALANCE TUB AND SHOWER SET, INDUSTRIAL, LEVER, WORKS II**

SIZE	ASM/PRT NO.	REV
<b>B</b>	221-27/00	<b>B</b>
SCALE: 1:3	WEIGHT: lbs.	SHEET 2 OF 2